



POF 1262-A
(INDIGENOUS
SUPPLIES)

Government of Pakistan
PAKISTAN ORDNANCE FACTORIES
TENDER ENQUIRY

To M/s

Dear Sirs,

Reference : TENDER ENQUIRY NO. 0101/LP/GDL/54

DATED 25-MAR-25

You are requested to submit quotations for the item(s) noted in the Schedule to the Tender. Please note the following instructions for filling the tender:-

1. SUBMISSION OF TENDER

- 1.1 Tenders will be opened at **11:00 hours** on **28-APR-25** at Bid Centre adjacent to Rabita Hall, POF Wah Cantt. Quotation must be submitted electronically on www.ebidding.pof.gov.pk as well as in hard form (duly sealed in envelope) before 30 minutes of opening time. The tender received late will not be entertained. You may witness the opening of the tender if you so desire. If a representative is deputed, he should bring a letter of authority from you.

Tender Enquiry No: 0101/LP/GDL/54

Tender to be opened on: 28-APR-25

Address as follows:-

(www.ebidding.pof.gov.pk) BID CENTER

ADJACENT TO RABITA HALL

POFs, WAH CANTT.

2. GENERAL INSTRUCTIONS REGARDING PREPARATION OF QUOTATIONS

- 2.1 **For Materials**, the prices should be filled in column 5 and delivery date in column 7 of the schedule to this Tender Enquiry. As per **PPRA Rule 36(b)**, **Single Stage two envelope method** will be utilized for "Open competitive bidding." Moreover, technical & commercial evaluation of Bids will be carried out strictly as per PPRA rules and contract(s) will be awarded to the most advantageous bidder(s).

- 2.2 **For Plant and Machinery**, you are required to quote in two parts:-

Part I "Technical Offer": It should exclusively give technical details and literatures/brochures of the offered plant, machinery and equipment; validity date; delivery schedule; and signed undertaking given on the schedule to this Tender Enquiry. It must not indicate price, costs etc.

Cont....P-2

Part II "Commercial Offer": It should indicate the commercial terms e.g. price, terms of payment, mode of payment, mode of supply.

- 2.3 The quotation must remain valid for, at least 90 days from the date of opening of commercial tenders, extendable if so desired.
- 2.4 The quotation should hold good for any reduced or enhanced quantities without notice.
- 2.5 In the event of non-acceptance of offer, intimation may be given to the Tenderers on their request.
- 2.6 Conditional offers or alternative offers are likely to be ignored.
- 2.7 Quotations should be based on:-

F.O.R. station of dispatch basis, i.e. delivered free on rail, inclusive of packing and forwarding charges. The stores will be booked under Military Credit Note, to be provided by the purchaser.
and/or

Free delivery at POF's stores at **WAH CANTT**
In this case Octroi duty, will be payable by the supplier.

- 2.8 Taxes and Duties etc. where applicable, must be shown separately, quoting references to Registration No. in cases of Sales Tax and relevant authority in the case of others. Offers without these clarifications and inclusive of Taxes and Duties may be ignored.
- 2.9 Taxes and duties levied on or after Tender opening date or on or after the date offer was signed and dispatched will be allowed to include in the offered rates.
- 2.10 "Suppliers will furnish a certificate, issued by Excise & Taxation deptt., that he has cleared all Professional Tax payable by him" offers received without this certificate will be rejected.
- 2.11 Suppliers will render necessary information regarding hazardous effects on environment, of the material/products supplied by them, in their quotations and shipping/dispatch documents.
- 2.12 If the requisite information is not furnished on the T.E forms or offer received is not conformity with the requirement of the T.E such offer shall be ignored.

3. INSPECTION

- 3.1 Supplies shall be subject to the inspection and acceptance by the competent inspection authority nominated by the Purchaser, who will arrange it at his own cost. Inspection facilities such as tools, test equipment, instruments etc will, however, be provided by the Suppliers in accordance with the relevant specifications.
- 3.2 Where considered necessary by the Purchaser, stores may be obtained on Warranty/Guarantee subject to inspection on receipt. Rejected stores will be removed and replaced with the acceptable stores by the Supplier at his own expense, within a specified time.

4. TENDER FEE

The tender must be accompanied by a copy of non-refundable fee by means of a crossed postal order/pay order for Rs. 500/- in favour of: **Director-Admin-POFs, Wah Cantt.** The tender fee instrument in original must be provided on day/date of tender opening in the Bid Center.

4.1 TENDER SAMPLE

Where required, offer must accompany tender sample., strictly according to the description and specification given in Tender Enquiry. Offer not accompanied by tender sample will NOT be entertained excepting the established and reputable firms who have either previously satisfactorily supplied the same or similar stores or have submitted an acceptable sample thereof against previous T.E.

5. BID Security

5.1 A copy of Bid Security should accompany the tender in shape of deposit at call receipt/Pay Order/Banker Cheque from scheduled bank drawn in favour of :-

GM-PP&C-POF-GDL

5.2 Bid security instrument in original must be provided on the day/date of tender opening in the Bid Center as under:

- a. Registered/indexed firms including foreign firms - 2% of quoted value subject to the maximum ceiling of Rs. 0.5 Mn.
- b. Registered/un-indexed firms including foreign firms - 3% of quoted value subject to the maximum ceiling of Rs. 0.75 Mn.
- c. Unregistered Firms including foreign firms - 5% of quoted value subject to the maximum ceiling of Rs. 1.00 Mn.
- d. Govt organization/production units/state owned enterprises/welfare projects of Svcs HQ - Rs 0.50 M. can be waived off on request by DG(C)
- e. Bid money will be returned to unsuccessful (less first three lowest quotee firms) bidders on opening of commercial offers
- f. Bid money will be returned to successful bidders on submission of performance bond/unconditional B.G.
- g. Quotation accompanied with less bid money will be accepted on provisional basis for 10 x days after opening of bids. However the firms are bound to provide/furnish the balance bid money within 10 x days after opening of bid otherwise such quotations will be ignored or rejected
- h. Offers received without Bid Security will not be entertained.
- i. Bid money will be forfeited in case the quotation is withdrawn before the expiry of its validity date.

6. ACCEPTANCE OF OFFERS

6.1 POF may reject all bids or proposals at any time prior to the acceptance of bid(s) or proposal, but is not required to justify grounds for its rejection. POF shall incur no liability towards supplier or contractor who have submitted bids or proposals.

6.2 PERFORMANCE BOND

- (a) The successful bidders shall provide performance bond which shall not exceed 10% of contract value, in the form of Deposit At Call Receipt from a scheduled Bank; or, an un-conditional Bank Guarantee on a prescribed format. The performance Bond will be in favour of C.M.A.(POF) Wah Cantt. It will be returned on satisfactory completion of contract.
- (b) If the Supplier fails to furnish the Performance Bond within the specified time, such failure will constitute a breach of the contract and the Purchaser shall be entitled to make other arrangements for purchase of the stores at the risk and expense of the Supplier.

6.3 Performance Bond from State owned organizations may be waived off at the discretion of the Purchaser.

6.4 **FAILURE TO SUPPLY THE STORES**

All deliveries must be completed by the specified date. In case of failure to deliver the stores within the scheduled time should have arisen from "Force Majeure", which the purchaser may admit as reasonable ground for further time, he will allow such additional time as he may consider to have been required by the circumstances of the case. Otherwise, he will be entitled, at his discretion, to cancel the contract; and/or claim liquidated damages upto 2% but not less than 1% of the contract price of the items and their quantities for each and every month or part of a month, beyond the specified delivery date, during which these may not be delivered, subject to a maximum of 10% of the total contract value of the particular stores which remained unsupplied either in part or in full: or, to purchase from elsewhere, the unsupplied stores at the risk and cost of the supplier.

6.5 **PAYMENT**

Payment will be made by the CMA(POF) through crossed cheque on receipt/acceptance of stores on our prescribed bill form supported by receipt voucher on part/full supply basis.

(a) Payment of duties/Taxes including professional tax (where applicable) must be supported by proof of having paid these to concerned Govt. Taxation Deptt.

7. **SECURITY OF INFORMATION**

The tenderer and his employees must not communicate any information relating to the sale/purchase of stores under this enquiry to any person other than the manufacturer or to any press or agent not authorised in writing by POFs to receive it.

Please return the Schedule to the Tender duly signed by the specified date, along with the specifications, drawings etc. if any, enclosed herewith - even if you are unable to quote.

WARNING In case the firm abstain from making offers or fail to return/acknowledge the tender form by the specified date on three consecutive occasions, no further tender enquiry may be issued to them and their names would liable to removed from the approved list.

Yours faithfully

IFTIKHAR AHMAD BAJWA
G.M PP&C POF GDL.

for PAKISTAN ORDNANCE FACTORIES

PAKISTAN ORDNANCE FACTORIES

SCHEDULE TO TENDER NO. 0101/LP/GDL/5425-MAR-25(1) FOR MATERIALS

(1)	(2)	(3)	(4)	(5)	(6)		(7)
Item No.	Description with Specs. etc.	Unit	Qty	Quoted Value	Price Per Unit FOR or free delivery		Delivery Date
					In Figures	In Words	
1	"O" SEAL RING DRG NO. AA-4097/11 PD	NO	18200				WITHIN 90 DAYS AFTER PLACEMENT OF CONTRACT. (INSPECTION AUTHORITY C.I.A RWP OR HIS AUTHORIZED REP)
2	"O" SEAL RING DRG NO. AA-4097/11 PD	NO	15250				WITHIN 90 DAYS AFTER PLACEMENT OF CONTRACT (INSPECTION AUTHORITY DIR-QA OR HIS AUTHORIZED REP)
3	RUBBER RING FOR ELECT PERCUSSION PRIMER NO. 2 DRG # WMD 305 0-7	NO	15950				WITHIN 90 DAYS AFTER PLACEMENT OF CONTRACT (INSPECTION AUTHORITY DIR-QA OR HIS AUTHORIZED REP)
4	RUBBER RING FOR ELECT PERCUSSION PRIMER NO. 2 DRG # WMD 305 0-7	NO	19100				WITHIN 90 DAYS AFTER PLACEMENT OF CONTRACT. (INSPECTION AUTHORITY C.I.A RWP OR HIS AUTHORIZED REP)

Total Rs =

+ GST =

PAKISTAN ORDNANCE FACTORIES

SCHEDULE TO TENDER NO. 0101/LP/GDL/5425-MAR-25

(1)	(2)	(3)	(4)	(5)	(6)		(7)
Item No.	Description with Specs. etc.	Unit	Qty	Quoted Value	Price Per Unit FOR or free delivery		Delivery Date
					In Figures	In Words	

Total value Rs =	
-------------------------	--

(2) For Plant & Machinery:
Specification:-

(3) Special Conditions

- 01 Same (Single) competitive Unit Rate must be quoted against the same tendered items having same nomenclature.
- 02 Full Qty having same nomenclature (against both inspection authorities) be quoted in all serial numbers, otherwise offer will be ignored.
- 03 The case shall be processed / contract awarded to the most advantageous Bidder as per PPRA Rules, POF Purchase Procedure and keeping in view the T.E requirement/Terms & conditions
- 04 OFFERS OF THE NATIONAL BIDDERS WILL BE ENTERTAINED ONLY.
- 05 Sample to be provided by the firms within 15 x days of technical opening except last supplier
- 06 Only registered suppliers(With sales Tax & Income Tax Deptt. Who are on Active Tax Payer' s list (A.T.L)of FBR legible to supply goods services to Govt departments.
- 07 The payment to the registered persons shall be linked with the Active TaxPayer Status of the supplier as per FBR base. If any registration supplier is not in A.T.L his payment should be stopped till he files his mandatory returns and appears on A.T.L of F.B.R
- 08 Tender will be opened as per PPRA Rule 36 (b) i.e., Single Stage - Two Envelopes procedure
- 09 Validity of offer at least 90 days(Extendable if required)would be considered w.e.f commercial opening of tender (s) after acceptance of technical offers
- 10 Conditional offers are likely to be ignored.
- 11 Needful supporting technical literature/ Catalogue/ Brochure against each tender it must accompany technical quotation if requisite/relevant technical literature found missing, quotation will be considered rejected.
- 12 Performance Bond (in shape of CDR/B.G) should be provided against L.O.I for issuance of formal contract. However, bid security can be provided as per T.E clause 5.1.
- 13 Firm /Suppliers registered with SECP will be preferred. (However, evidence to this effect must be enclosed).
- 14 The tender received without undertaking (signed/stamped) will not be entertained.
- 15 New entrants should provide thier complete company profile to prove thier capability in the identical items / relevant field.
- 16 LOI (letter of intent) will be issued to the successful bidder upto last day of validity of offer However, Contract will be awarded after acceptance of LOI/Submission of performance bond.
- 17 Payment againt contract will be released subject to provisioning of Genuineness certificate from the head/Zonal branch of concerned bank as per CMA requirement
- 18 Delivery Period 03 months after placement of contract.

PAKISTAN ORDNANCE FACTORIES

SCHEDULE TO TENDER NO. 0101/LP/GDL/5425-MAR-25

(1)	(2)	(3)	(4)	(5)	(6)		(7)
Item No.	Description with Specs. etc.	Unit	Qty	Quoted Value	Price Per Unit FOR or free delivery		Delivery Date
					In Figures	In Words	

- 19 Note:- Following points must be addressed in Technical Offer: a. Confirmation regarding submission of Bid Security a/w CDR/BC, P.O.No.and dated.b. 90 Days offer validity from commercial opening. c. Payment terms d . Delivery period.
- 20 Offers must be submitted electronically on www.ebidding.pof.gov.pk upto 10:30 hrs (before 30 minutes of opening time i.e 11:00 hrs)
- 21 The supplier wil render a Warranty / Guarantee Certificate for a period of 12 x months from final acceptance of store
- 22 Protocol of inspection will be followed as per inspection authority.

Undertaking

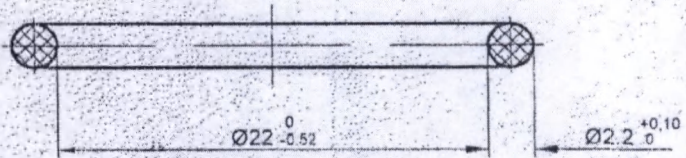
Should our offer be accepted, we hereby undertake to supply the stores/render the services contracted on the basis of General Conditions of Contract embodied in Form POF 1281, and to deposit the performance bond within the prescribed time, failing which it will constitute a breach of contract, and POF will have the right to purchase the stores/services elsewhere at our risk and cost.

Place _____
 Date _____

Signature of the Tenderer _____
Name _____
Position _____
Address _____
Income Tax G.I.R. No _____
Official Stamp _____

DRG No. USED ON
 AA 4097/11PD AA 4097/

FOR EXPLANATION OF DIMENSIONING ETC. SEE P.A.D. NOTE SHEET No. 3



MATERIAL

VULCANIZED NATURAL RUBBER
 Z13C Q/DHO 466

ALTERNATE MATERIAL

VULCANIZED NATURAL RUBBER FOR
 "O" SEAL RING TO SPEC TKSD - 2(37)

TECHNICAL REQUIREMENT

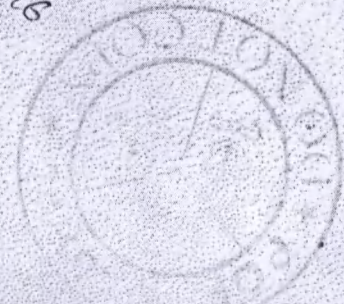
- 1 - NO SHORT SIZE OR EXCESSIVE SIZE
- 2 - REMOVE PARTING LINE FLASH

Certified Correct Copy of Sealed/Unsealed
 Drawing at this Date 27/11/09
 Per Chief Inspector of Armaments

(M. Zia Alam)

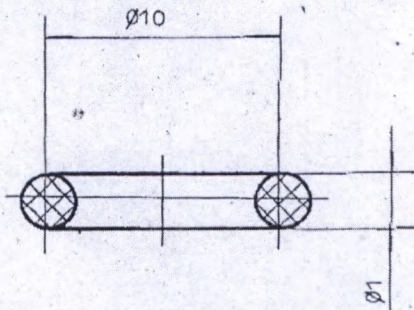
Dr. 11/16

27/11/09



			DRG. No. - AA - 4097/ 11 PD		
			PART. No. -		
			MATL. -		
			DIMENSIONS ARE IN MM. SCALE - N.T.S. THIRD ANGLE PROJECTION.		
			DRAWN	COMPUTERIZED HAMID ULLAH	SEALED
AMENDMENTS		AUTHORITY	DATE	1st CKD Shabeer	F. CKD ZIC SEC
				I.M.E	I.M.S
"O" SEAL RING			A H S P		APPROVED BY -
			EXAMINED BY -		 MAJ DATE - 29/11/09 FOR C.I.A
			DATE - 20-01-09		

4-0



TECHNICAL REQUIREMENTS

1. The surface shall be applied with talcum powder.
2. No oil stains, incompleteness, breaking, rough surface, non-dense structure or aging is allowed.
3. Dimensions shown on the drawing are for tool.

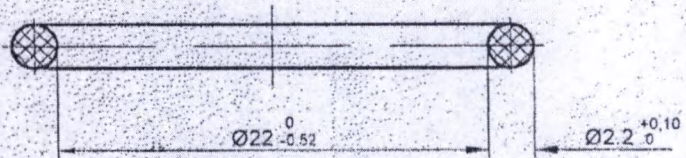


					WMD305	0-7
					RUBBER RING	Pertaining to 0-01
						Production stage Wt. Proportion
						S A 0.045g 10:1
					Mixed Rubber for Making	Sheet 1 of 1 Sheets
Mark	Place	Doc. No.	Signature	Date	Rubber Products of Con-ventional Weapons and	Warships (11A), WMD305-1

26

DRG No. USED ON
 AA-4097/11PD AA-4097/

FOR EXPLANATION OF DIMENSIONING ETC. SEE P.A.D. NOTE SHEET No. 3



MATERIAL

VULCANIZED NATURAL RUBBER
 Z13C Q/DHO 466

ALTERNATE MATERIAL

VULCANIZED NATURAL RUBBER FOR
 "O" SEAL RING TO SPEC TKSD - 2(37)

TECHNICAL REQUIREMENT

- 1 - NO SHORT SIZE OR EXCESSIVE SIZE
- 2 - REMOVE PARTING LINE FLASH

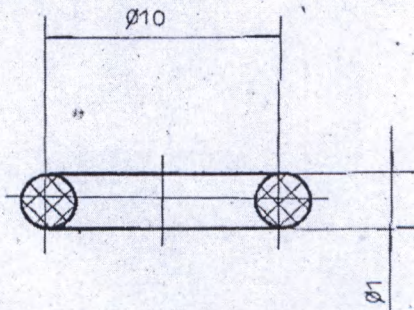
Certified Correct Copy of Sealed/Unsealed Drawing at this Date 27/6-15
 Per Chief Inspector of Armaments

(M. Zia Alam)
 27/6



			DRG. No. - AA - 4097/ 11 PD		
			PART. No. -		
			MATL. -		
			DIMENSIONS ARE IN MM.		
			SCALE - N.T.S.		
			THIRD ANGLE PROJECTION.		
			DRAWN	COMPUTERIZED HAMID ULLAH	SEALED
			1st CKD Shabeer	F. CKD I/C SEC	SUPER CKD
AMENDMENTS		AUTHORITY	DATE	I.M.E	I.M.S
"O" SEAL RING			A H S P		APPROVED BY -
			EXAMINED BY -		
			DATE: 20-01-09	1 OF (A)	

4-0



TECHNICAL REQUIREMENTS

1. The surface shall be applied with talcum powder.
2. No oil stains, incompleteness, breaking, rough surface, non-dense structure or aging is allowed.
3. Dimensions shown on the drawing are for tool.



					WMD305	0-7	
					RUBBER RING	Pertaining to	0-01
						Production stage	Wt.
						S A	0.045g 10:1
					Mixed Rubber for Making	Sheet 1 of 1 Sheets	
Mark	Place	Doc. No.	Signature	Date	Rubber Products of Con-ventional Weapons and	Warships (11A), WMD305-1	

26