

**GOVERNMENT OF PAKISTAN
PAKISTAN ORDNANCE FACTORIES
TENDER ENQUIRY.**

To _____

Dear Sirs,

Reference: **TENDER ENQUIRY NO. 4104-MPO-W-Hanger Chain Continuous Type Shot Blasting Machine. Dt. 12-11-2021.**

You are requested to submit quotations for the items(s) noted in the Schedule to the Tender. Offers should be sent duly sealed in an envelope. Please note the following instructions for filling the tender:-

1. SUBMISSION OF TENDER

1.1 Tenders will be opened at **1100 hours on 15-12-2021** and must reach this office on or before **10:30 hour upto due date**. The tender received late will not be entertained. You may witness the opening of the tender if you so desire. If a representative is deputed, he should bring a letter of authority from you.

1.2 Only one tender should be included in one envelope. The outside of the envelope should be inscribed with:-

Tender Enquiry No: **4104-MPO-W-Hanger Chain Continuous Type Shot Blasting Dated 12-11-2021**

Tender to be opened on: **15-12-2021**

Address as follows:-

i) For Technical Offer: **Managing Director-WPNs Fy,
Room No. 3, Bid Centre,
Adjacent to Rabita Hall,
POFs Wah Cantt.**

iii) Both Technical & Commercial offers duly sealed in 02x separate envelopes should be sent in third envelope, which should indicate address of MD-Weapons POF- Wah Cantt.

1.3 If envelope does not indicate reference of T.Es or received late the same may be returned un-opened.

2. GENERAL INSTRUCTIONS REGARDING PREPARATION OF QUOTATIONS

2.1 For materials, the prices should be filled in column 5 and delivery date in column 6 of the schedule to this Tender Enquiry. The undertaking should be signed at the bottom of the Schedule which shall form the Quotation. You may use a separate sheet if necessary.

2.2 For Plant and Machinery, you are required to quote in two parts:-

Part I "TECHNICAL OFFER" It should exclusively give technical details and literatures/brochures of the offered plant, machinery and equipment; validity date; delivery schedule; and signed undertaking given on the schedule to this Tender Enquiry. It must not indicate price, costs etc.

Part II "COMMERCIAL OFFER" It should indicate the commercial terms e.g. price, terms of payment, mode of payment, mode of supply.

Each part should be placed in a separate sealed cover. The envelopes should be inscribed with: Part I "Technical Quotation without price" and Part II "Commercial Quotation with Price."

- 2.3 The quotation must remain valid for, at least 90 days from the date of opening of tenders.
- 2.4 The quotation should hold good for any reduced or enhanced quantities without notice.
- 2.5 In the event of non-acceptance of offer, intimation may be given to the tenderers on their request.
- 2.6 Conditional offers or alternative offers are likely to be ignored.
- 2.7 Quotations should be based on F.O.B. The consignment will be shipped through Pakistan National Shipping Corporation (PNSC). In case there is no PNSC service in the country of shipping, please quote on C & F basis. The freight should be indicated separately. Insurance premium should not be included in the quoted price. However, where insurance is considered necessary, advice to that effect should be given in the quotation.
- 2.8 Submission of the offer through an agent in Pakistan should be avoided. In case it is considered inevitable, the agent's quotation must invariably be accompanied by the original Performa invoice from the principals/ manufacturers.
- 2.9 Country of origin and port of shipment to be stated.
- 2.10 The offer of principal must clearly indicate whether the rate quoted is inclusive of agent's commission, and if inclusive rate of commission included be specified.
- 2.11 Suppliers will render necessary information regarding hazardous effects on environment, of the materials/products supplied by them, in their quotations and shipping/Dispatch documents.
- 2.12 If the requisite information is not furnished on the T.E form or offer received is not in conformity with the requirement of the T.E such offer shall be ignored.

3. INSPECTION

- 3.1 Supplies shall be subject to the inspection and acceptance by the competent inspection authority nominated by the Purchaser, inspection facilities such as tools, test equipment, instruments etc. will, however, be provided by the Suppliers in accordance with the relevant specifications.
- 3.2 Where considered necessary by the Purchaser, stores may be obtained on Warranty/Guarantee, subject to inspection on receipt. Rejected stores will be removed and replaced with the acceptable stores by the Supplier at his own expense, within a specified time.

4. **TENDER SAMPLE**

Where required offer must accompany tender sample strictly according to the description given in tender Enquiry. Offer not accompanied by tender sample will NOT be entertained excepting the established and reputable firms who have either previously satisfactorily supplied the same or similar stores or have submitted an acceptable sample thereof against previous T.E.

5. **TENDER FEE**

The tender must be accompanied by a non-refundable fee by means of a crossed postal order/pay order for Rs. 500/- in favor of Director Admin POFs Wah Cantt.

6. **BID MONEY**

6.1 Bid Money at the rate of 2% (for registered firms) and 5% (for unregistered firms) of the quoted value should accompany the tender in the shape of Deposit At Call Receipt/Pay Order/ Banker's Cheque, from a scheduled Bank drawn in favor of
"GM-PPC-Wpns POF Wah Cantt."

Tenders received without Bid Money will be rejected.

6.2 Bid Money of the unsuccessful tenders will be returned as soon as the scrutiny of the tenders is completed. Bid Money of the successful tenders will be retained until the contract is finalized. Bid Money will be forfeited in case the quotation is withdrawn before the expiry of its validity date.

6.3 State owned organizations are not required to provide Bid Money.

7. **ACCEPTANCE OF OFFERS**

7.1.1 The procuring agency may reject all bids or proposals at any time prior to the acceptance of a bid or proposal. The procuring agency shall upon request communicate to any supplier or contractor who submitted a bid or proposal, the grounds for its rejection of all bids or proposals, but is not required to justify those grounds.

7.1.2 Procuring agency shall incur no liability, solely by virtue of its invoking sub-rule (1.1) towards suppliers or contractors who have submitted bids or proposals.

7.1.3 Notice of the rejection of all bids or proposals shall be given promptly to all suppliers or contractors that submitted bids or proposals.

7.2 **PERFORMANCE BOND**

(a) The successful bidders will provide Performance Bond at the rate upto 10% of Net F.O.B / C & F value of contract in favor of the Controller Military Accounts (CMA) POF Wah Cantt. The Performance Bond will be furnished in the form of Deposit At Call Receipt (CDR) from any scheduled Bank in Pakistan or an unconditional bank guarantee on prescribed Performa covered by any scheduled bank in Pakistan. The Performance Bond shall be furnished within 45 days from the date of opening of Letter of Credit. It shall be valid for a period of 12 months after the date of expiry of letter of credit.

If the Performance Bond is not furnished within the prescribed time of 45 days, the Purchaser reserves the right to:

- i. Impose penalty @.1 % per month of the value of CDR/BG.

(Clause-7.2 (a-i) is not applicable in case of procurement of Plant / Equipment / Machinery items)

OR

- a. Cancel the contract and make other arrangements for purchase of the stores at the risk and expense of the Supplier.
- b.
- (b) No Performance Bond will be required if the total FOB value of the contract is less than US\$ 50,000 and contract is placed directly on the foreign Supplier.

7.3 FAILURE TO SUPPLY THE STORES

All deliveries must be completed by the specified date. If the failure to deliver the stores within the scheduled time should have arisen from "Force Majeure", which the Purchaser may admit as reasonable ground for further time, he will allow such additional time as he may consider to have been required by the circumstances of the case. Otherwise, he will be entitled, at his discretion, to cancel the contract; and/or, claim liquidated damages upto 2% but not less than 1% of the contract price of the items and their quantities for each and every month or part of a month, beyond the specified delivery date, during which these may not be delivered, subject to a maximum of 10% of the total contract value of particular store which remained unsupplied either in part or in full or, to purchase, from elsewhere, the unsupplied stores at the risk and cost of the Supplier.

7.4 PAYMENT

- 7.4.1 Payment to the supplier will be made by means of an irrevocable letter of credit. However, the payment terms will be 90% on actual value against shipping documents and remaining 10% amount to be released after satisfactory commissioning and trial of the unit.
- 7.4.2. Firm is bound to provide 10% PBG as per POF Format within 45 days of opening of L.C in un-equivocal terms.

8. SECURITY OF INFORMATION

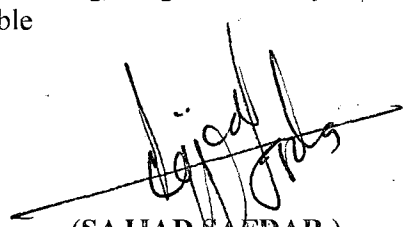
The tenderer and his employees must not communicate any information relating to the sale/purchase of stores under this enquiry to any person other than the manufacturer or to any press or agent not authorized in writing by POFs to receive it. Please return the Schedule to the Tender duly signed by the specified date, along-with the specifications drawings etc. if any, enclosed herewith - even if you are unable to quote.

9. The offer must reach upto 15-12-2021 at 10:30 hrs.

10. SPECIAL NOTE:

- i. Quotation should cover confirmation of export to Pakistan.
- ii. Authorization of local representative should be ensured through original letter by Principal / OEM. Photocopies / Scanned copies are not acceptable

Yours faithfully,


(SAJJAD SAJDAR)
MANAGING DIRECTOR-WPNs,
POFs Wah Cantt.
For and on behalf of President of
The Islamic Republic of Pakistan.

PAKISTAN ORDNANCE FACTORIES

SCHEDULE TO TENDER NO. 4104-MPO-W-Hanger Chain Continuous Type Shot Blast Machine
Dt. 12-11-2021

(1) For Plant and Machinery

(1)	(2)	(3)	(4)	(5)		(6)
Item No.	Description with Specs. etc	Unit	Qty.	Price per Unit FOB or C & F		Delivery Date
				In-Figures	In Words	
01	Hanger Chain Continuous Type Shot Blast Machine	No.	01			

(2) For Plant & Machinery:-

Specification:- Enclosed as Annexure- "A"

(3) Special Conditions:-

(4) Technical Comparison:- Enclosed as Annexure- "C"

(5) Undertaking

Should our offer be accepted, we hereby undertake to supply the stores/render the services contracted on the basis of General Conditions of Contract embodied in Form POF 1282, and to deposit the performance bond within the prescribed time, failing which it will constitute a breach of contract, and POF will have the right to purchase the stores/services elsewhere at our risk and cost.

Place _____ Signature of Tenderer _____

Date _____ Name _____

_____ Position _____

_____ Address _____

Income Tax G.I.R No. _____

SPECIFICATION OF MACHINE
HANGER CHAIN CONTINUOUS TYPE SHOT BLASTING MACHINE

Sr. No.	DESCRIPTION OF MACHINE	
a)	Component Size (mm)	130*100*1100
b)	Unit Weight of Component to be shot Blasted (Kg)	0.1 to 04
c)	Productivity according to mentioned size of components (/h)	30 components or more

Note:

- i. Available size of steel shots is 0.125 mm to 0.3 mm.
- ii. Hanger must have facility to hold multiple components.
- iii. Machine must have a facility to control the speed of conveyer so that the speed can be adjusted according to thickness of removed coating from the surface of components.
- iv. Conveyer must have a facility to rotate the fixture with components axially.

2. SAFETY

- i. Machine should be equipped/provided with all safety gadgets/accessories according to latest international safety standards.
- ii. Noise level should be less than 75 db or as per international standards.
- iii. The machine should be cost effective and environmental friendly as per international standards.
- iv. System should be safe to handle spikes and surgers. (Transient)
- v. Dust Collector should be installed in panel/system (where necessary).

3. INPUT & SUPPORT MATERIALS

The machine should be capable to shot blast different components of Tool Steel Mild steel & Alloy steel for the removal of scales, rust, paint etc. with the help of steel shots of size 0.125 mm to 0.3 mm.

4. SPARES:

- i. Ten Years essential maintenance and operation spares shall be required.
- ii. It shall be guaranteed that spares shall be available for at least 15 years after plants are handling over and successfully commissioning of machine.
- iii. The machine must include 2 X Toolkits, essential for its setting and maintenance.

5. CLIMATIC CONDITION:

- i. Temperature:
 - Winter = -3 to +20 C
 - Summer = 25 to 50 C
- ii. Relative Humidity = 25 to 90%
- iii. Earthquake Value = 9.0 on Richter scale

6. UTILITIES AVAILABLE AT SITE

- i. Electricity 400 ± 5% Volts, 50 Hz, Three Phase.
- ii. Electricity 220 ± 5% Volts, 50 Hz, Single Phase.
- iii. Steam 03 bar
- iv. Compressed Air Pressure = 6 bar (Max)
- v. Natural Gas – Available

7. PRE-SHIPMENT INSPECTION & TRAINING

- i. Pre-shipment inspection & free of cost training for 04 days to 04 x Engineers/Technicians of Weapons Factory in the field of operation, maintenance and inspection of the machine will be imparted at firm's premises.
- ii. Boarding/lodging and travelling of POF engineers/technicians will be the responsibility of the suppliers.
- iii. Inspection facilities such as tools, test equipment, instruments etc. will be provided by the Suppliers in accordance with the relevant specification.
- iv. Where considered necessary by the purchaser, the stores may be obtained on warranty/Guarantee, subject to inspection on receipt. Rejected Stores will be replaced with the acceptable stores by the Suppliers at his own expense, within a specified time. The Suppliers will render warranty guarantee certificate.

8. TECHNICAL SUPPORT:

The suppliers shall confirm that after handing over of the plant there shall be technical support at least for 15 years as & when required by the purchaser. In addition, the purchaser shall be kept informed regarding latest advancement in the related technology for further improvement in the production and operation of the machine.

9. TERMS OF DELIVERY

The goods will be delivered as per following terms:

- i. The delivery will be on FOB/C & F Karachi sea port or Islamabad Airport basis. In case of C&F, Freight should be mentioned separately.
- ii. Machine parts would be lettered in English and/ or internationally recognized symbols.

10. INSTALLATION, COMMISSIONING AND TRIAL PRODUCTION RUN

- i. The machine shall be installed by the purchaser under the supervision of the supplier's engineers and technicians.
- ii. The machine shall be commissioned and trial production of the machine shall be carried out by supplier's engineers. Purchaser shall provide required number of operators and technicians for the commissioning and trial production of the machine.
- iii. Trial run of the machine will be carried out for at least 1000 X acceptable components in continuous run.
- iv. The oil and process lubricants required 1st time for machine for one year shall be supplied by the supplier.

11. DOCUMENTATION

03 X Sets of following documents in English language will be provided by the supplier.

- i. Schematic Diagram of each PCB.
- ii. Operation and maintenance manual.
- iii. Electric sequence control circuit diagram of machine.
- iv. Detail of motors and their control.
- v. List of spares for 10 X years.
- vi. Programming/configuration software (if required) along with soft copy of the program.

12. WARRANTY GUARANTEE

- i. The machine and accessories shall be accepted on Supplier's warranty/Guarantee with regard to quality and quantity subject to these being technically checked/tested and

accounted for on arrival at Consignee's ware-house in presence of supplier's rep (if desired by suppliers) at their cost. The suppliers shall render Warranty/Guarantee certificate in duplicate to the Purchaser as soon as stores have been dispatched/delivered. This Warranty/Guarantee shall be binding on the supplier for a period of 24 months reckoning from the date of commissioning and successful trial run of the machine.

- ii. In case the stores on checking/test after receipt at Consignee's warehouse are found not conforming strictly to the relevant specification and other particulars are found damaged during transit, the supplier shall immediately replace the rejected/damaged stores by acceptable stores, free of cost, and without any obligation to the Purchaser. Rejected/damaged stores shall be disposed off by the suppliers under his own arrangements.
- iii. The supplier shall warrant the good quality of all equipment supplied against all defects or failures due to faulty design, material, or workmanship.
- iv. The supplier shall also provide Guarantee for meeting the requisite quality and quantity of products. In Case of any deficiency in term of quality or quantity of products of products, all related expenditure to fulfill commitment shall be borne by the supplier.

13. **PAYMENT TERMS**

- i. Payment to the supplier will be made by means of an irrevocable letter of credit.
- ii. However, the payment terms will be 90% of FOB value against shipping documents and remaining.
- iii. 10% amount to be released after satisfactory commissioning and trial of the unit.
- iv. Assurance to provide 10% PBG as per POF Format within 45 days of opening of L.C may be provided by the firm in un-equivocal terms.

14. **COUNTRY OF ORIGIN**

- i. Preferably, Europe, UK, USA, Japan & South Korea, Indonesia, Malaysia.
- ii. Firms of Chinese origin will be required to provide their business credentials through their embassy.

TECHNICAL COMPARISON
(TO BE FILLED BY SUPPLIER)

Sr. No.	TENDER SPECIFICATION	OFFERED SPECIFICATION WITH REFERENCE TO PAGE No. OF QUOTATION

ANNEX-"C"

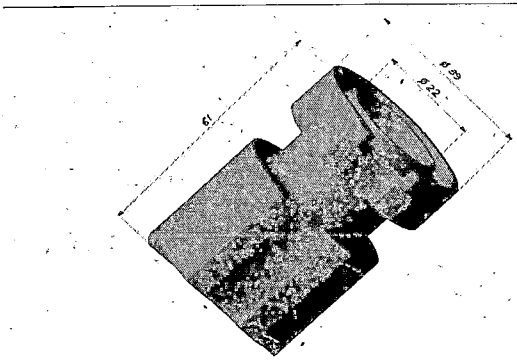


Fig 1

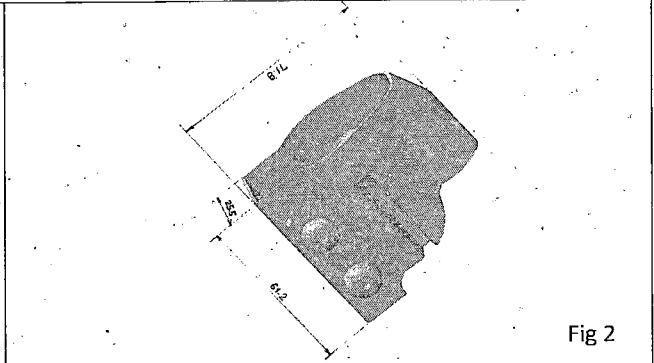


Fig 2

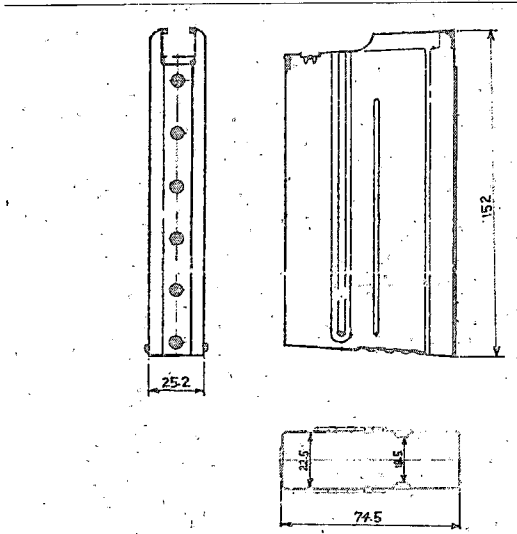


Fig 3

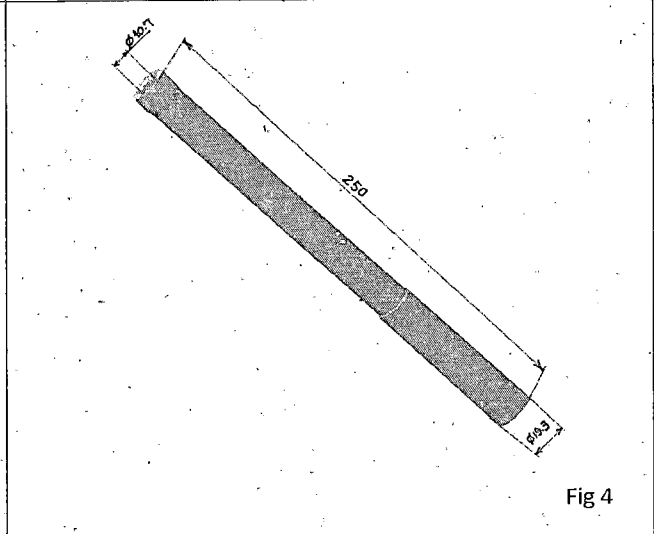


Fig 4

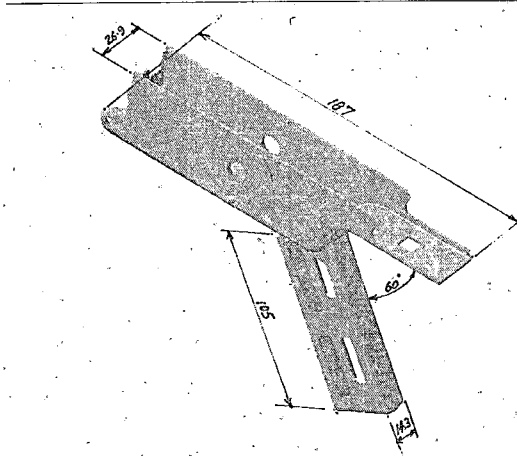


Fig 5

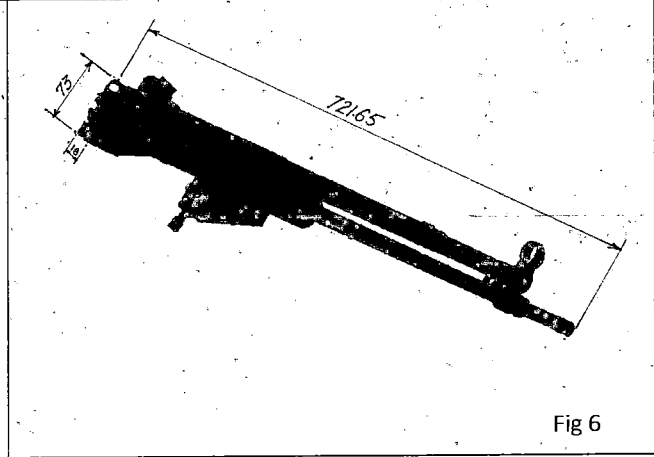


Fig 6

