

**Government of Pakistan
PAKISTAN ORDNANCE FACTORIES
Tender Enquiry**

Dear Sir,

Reference: **TENDER ENQUIRY NO. 0039A-LP-W-48**, DATED: **31-5-2022**

You are requested to submit sealed quotations for the item(s) noted in the Schedule to the Tender. Offer should be sent

duly sealed in an envelope. Fax offer received before opening of Tender is acceptable. Please note the following instructions for filling the tender:-

1. SUBMISSION OF TENDER.

1.1 Tenders will be opened at "Room No. 3, Bid Centre, adjacent to Rabita Hall, POF Wah Cantt at **1100 hours on -6-2022** and must reach CR Section, POF Wah Cantt on or before 1030 upto due date. The tender received late will not be entertained. You may witness the opening of the tender of authority from you.

1.2 Only one tender should be included in one envelope. The outside of the envelope should be inscribed with:-

| | |
|-------------------------|--|
| Tender Enquiry NO: | <u>0039A-LP-W-48, dt -5-2022,</u> |
| Tender to be opened on: | <u>29-6-2022.</u> |
| Address as follows: | <u>General Manager-PPC-Weapons</u> <u>I/C BID CENTER, Through</u> <u>CR Section, C-04 Building,</u> <u>POF WAH CANTT.</u> |

1.3. If envelope does not indicate reference of T.E or received late the same may be returned un-opened.

2. GENERAL INSTRUCTIONS REGARDING PREPARATION OF QUOTATION.

2.1 For materials, the prices should be filled in column 5 and delivery date in column 6 of the schedule to this Tender Enquiry. The undertaking should be signed at the bottom of the schedule which shall form the quotation. You may use a separate sheet if necessary.

2.2 For Plant and Machinery, you are required to quote in two parts:-

Part I "Technical Offer": It should exclusively give technical details and literatures/ brochures of the offered plant, machinery and equipment; validity date; delivery schedule; and signed undertaking given on the schedule to this Tender Enquiry. It must not indicate price, costs etc.

Contd....P-2

Part II "Commercial Offer": It should indicate the commercial terms e.g. price, terms of payment, mode of payment, mode of supply.

Each part should be placed in a separate sealed cover, the envelopes should be inscribed with Part I "Technical Quotation without Price" and part II "Commercial Quotation with price".

2.3 The quotation must remain valid for, at least 90 days from the date of commercial opening.

2.4 The quotation should hold good for any reduced or enhanced quantities without notice.

2.5 In the event of non-acceptance of offer, intimation may be given to the Tenderers on their request.

2.6 Conditional offers or alternative offers are likely to be ignored.

2.7 Quotations should be based on:-

F.O.R. station of dispatch basis, i.e. delivered free on rail, inclusive of packing and forwarding charges. The stores will be booked under Military Credit Note, to be provided by the purchaser.

And/or

Free delivery at POF's stores at **WAH CANTT.**

In this case octroi duty if any, will be payable by the supplier.

2.8 Taxes and Duties etc. where applicable, must be shown separately, quoting references to Registration No. in cases of Sales Tax and relevant authority in the case of others. Offers without these clarifications and inclusive of

2.9 Taxes and Duties levied on or after Tender opening date or on after the date offer was signed and dispatched will be allowed to include in the offered rates.

2.10 Suppliers will furnish a certificate, issued by Excise & Taxation dept., that he has cleared all Professional Tax payable by him" offers received without this certificate will be rejected.

2.11 If the requisite information is not furnished on the T.E. forms or offer received is not conformity with the requirement of T.E such offer shall be ignored.

2.12 The supplier will render necessary information regarding hazardous effects on environment of the material / products supplied by them, in their quotations and shipping/dispatch documents.

3. **INSPECTION**

3.1 Supplies shall be subject to the inspection and acceptance by the competent inspection authority nominated by the Purchaser, who will arrange in at his own cost. Inspection facilities such as tools, test equipment, instruments etc will, however, be provided by the Suppliers in accordance with the relevant specifications.

3.2 Where considered necessary by the Purchaser, the stores may be obtained on Warranty/Guarantee subject to inspection on receipt. Rejected stores will be removed and replaced with the acceptable stores by the Supplier at his own expense, within a specified time.

Contd....P-3

4.

TENDER FEE.

The tender must be accompanied by a non-refundable fee by means of a crossed postal order / pay order of Rs. 500/- in favour of: **Director Admin, POF WAH CANTT and attached with technical offer.**

4.1 TENDER SAMPLE

Where required, offer must accompany tender sample, strictly according to the description and specification given in Tender Enquiry. Offer not accompanied by tender sample will NOT be entertained excepting the established and reputable firms who have either previously satisfactorily supplied the same or similar stores or have submitted an acceptable sample thereof against previous

5.

BID MONEY

5.1 Bid money at the rate of 2% (for registered firms) and 5% (for un-registered firms) of the quoted value, should accompany the tender in the shape of Deposit at Call Receipt, from a scheduled Bank drawn in favour of **GM-PPC-WEAPONS, POF WAH CANTT and must be attached with commercial offer.**

Tender received without Bid Money & Tender Fee will be rejected.

5.2 Bid Money of the unsuccessful tenderers will be returned as soon as the scrutiny of the tenders is completed. Bid Money of the successful tenderers will be retained until the contract is finalized. Bid Money will be forfeited in case the quotation is withdrawn before the expiry of its validity date.

dd. State owned organizations are not required to provide Bid Money.

6.

ACCEPTANCE OF OFFERS.

6.1.1 The procuring agency may reject all bids or proposal at any time prior to the acceptance of a bid or proposal. The procuring agency shall upon request communicate to any supplier or contractor who submitted a bid or proposal, the grounds for its rejection of all bids or proposals, but is not required to justify those grounds.

6.1.2 Procuring agency shall incur no liability, solely by virtue of its invoking sub-rule (1.1) towards suppliers or contractors who have submitted bids or proposal.

6.1.3 Notice of rejection of all bids or proposal shall be given promptly to all suppliers or contractors that submitted bids or proposal.

6.2 PERFORMANCE BOND

(a) The successful bidders shall provide performance bond at the rate, prescribed by POF Board according to the value of contract, which shall not exceed 10% of contract value in the form of Deposit At Call Receipt from a scheduled Bank; or, an un-conditional Bank Guarantee valid for 12 months after receipt of store in POFs on a prescribed format. The performance Bond will be in favour of CMA (POF) Wah Cantt. It will be returned on satisfactory completion of contract.

(b) If the Supplier fails to furnish the Performance Bond within the specified time, such failure will constitute a breach of the contract and the Purchaser shall be entitled to make other arrangements for purchase of the stores at the risk and expense of the Supplier.

Confid....P-4

6.3 Performance Bond form state owned organizations may be waived off at the discretion of the Purchaser.

6.4 FAILURE TO SUPPLY THE STORES

All deliveries must be completed by the specified date. In Case of failure to deliver the stores within the scheduled time should have arisen from "Force Majeure", which the purchaser may admit as reasonable ground for further time, he will allow such additional time as he may consider to have been required by the circumstances of the case. Otherwise, he will be entitled, at his discretion, to cancel the contract; and/or claim liquidated damages upto 2% but not less than 1% of the contract price of the items and their quantities for each and every month or part of a month, beyond the specified delivery date, during which these may not be delivered, subject to a maximum of 10% of the total contract value; or, to purchase from elsewhere, the unsupplied stores at the risk and cost of the supplier.

6.5 PAYMENT

- a) Payment will be made by the CMA (POF) through crossed cheques on receipt/acceptance of stores on our prescribed bill form supported by receipt voucher on part/full supply basis.
- b) Payment of duties/Taxes including professional tax (Where applicable) must be supported by proof of having paid these to concerned Govt. Taxation Deptt.

7. SECURITY OF INFORMATION

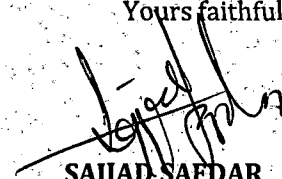
The tenderer and his employee must not communicate any information relating to the any sale/purchase of store under this enquiry to any person other than the manufacturer or to press or agent not authorized in writing by POFs to receive it.

Please return the schedule to the tender duly signed by the specified date, along with the specifications, drawing etc. if any, enclosed herewith even if you are unable to quote.

WARNING

In case the firm abstain from making offers or fail to return/acknowledge the tender form by the specified date on three consecutive occasions, no further tender enquiry may be issued to them and their names would liable to be removed from the approved list.

Yours faithfully,



SAJJAD SAFDAR
Managing Director -WPNs
POFs Wah Cantt.
for PAKISTAN ORDNANCE FACTORIES
Managing Director by the
Weapons Factory at their
P.O.Fs, WAH CANTT.

PAKISTAN ORDNANCE FACTORIESSCHEDULE TO TENDER NO. 0039A-LP-W-48DATED: 31-5-2022

| (1) | (2) | (3) | (4) | (5) | (6) |
|---------|--|------|-----|------------------------------------|----------------|
| Item No | Description of Store | Unit | Qty | Price per Unit CFR Karachi Seaport | Delivery date |
| | | | | In figures | In words |
| 01 | TWIST DRILL 1013-02-25 W-95 | NOS | 66 | | Most Immediate |
| 02 | CHAMBER REAMER (COMPLETE) 1013-01.89/W8 | NOS | 55 | | Most Immediate |

Kindly Confirm Following on technical quotations:-

- d). Quality test report of OEM.
e). Bulk supply permitted subject to approval of advance sample.
f). All firms must provide complete specification, test criteria and ATP with their technical offer.

Undertaking: - Should our offer be accepted, we hereby undertake to supply the stores/render the services contracted on the basis of General Conditions of Contract embodied in Form POF-1281, and to deposit the performance bond within the prescribed time, failing which it will constitute a breach of contract, and POF will have the right to purchase the stores/services from elsewhere at our risk & cost.

Place _____
Date _____
Official Stamp _____

Signature of the Tenderer _____
Name _____
Position _____
Address _____
Income Tax G.I.R. No. _____

09. Special Conditions: -

- I. **Inspection Authority: M.D-Weapons & Firm's Warranty/Guarantee**
- II. Only Registered suppliers (with sales tax and income tax department) who are on Active Tax Payers List (ATL) on FBR are eligible to supply goods or services to Govt. Department. (ATL with Business Name must be attached with offer).
- III. Payment to the registered persons may be linked with the Active Tax Payers Status of the suppliers as per FBR Database if any registered supplier is not in ATL, his payment should be stopped till the files his mandatory returns and appears on ATL of FBR.
- IV. Fax Offers, e-mail offers, conditional offers and offers with less / without Bid Money & Tender Fee will not be entertained.
- V. Offers received with multiples rates will not be entertained.
- VI. Undertaking must be enclosed with technical offer duly signed and stamped otherwise your offer will be ignored.
- VII. "Tender Sample" will be addressed to Weapon Factory Directly.
- VIII. **Foreign firms are also welcomed to participate in the tender through their local representatives. Quotations should be enclosed with tender fee and bid money. Offers should be on "FOR Wah Cantt" basis.**
- IX. **As per P.P.R.A Rule (Two Envelop) Kindly send Technical and Commercial quotation separately. Technical quotation will be opened on due date.**
- X. If firm is registered with POF, kindly attached registration documents & complete bio-data with quotation. Store will be accepted on one year W/G provided by firm.
- XI. POF's management reserve the right to discourage offers of suppliers with poor performance (sub-standard/delayed supplies) against previously awarded contract.

Für diese technische Unterlage und den darin beschriebenen oder dargestellten Gegenstand behalten wir uns alle Rechte vor. Ohne unsere vorherige Genehmigung darf diese technische Unterlage weder vervielfältigt noch Dritten zugänglich gemacht werden, und sie darf durch den Empfänger nur in der mit uns vereinbarten Weise verwendet werden. Zuwiderhandlungen führen zu Schadenersatz und können strafrechtliche Folgen haben.

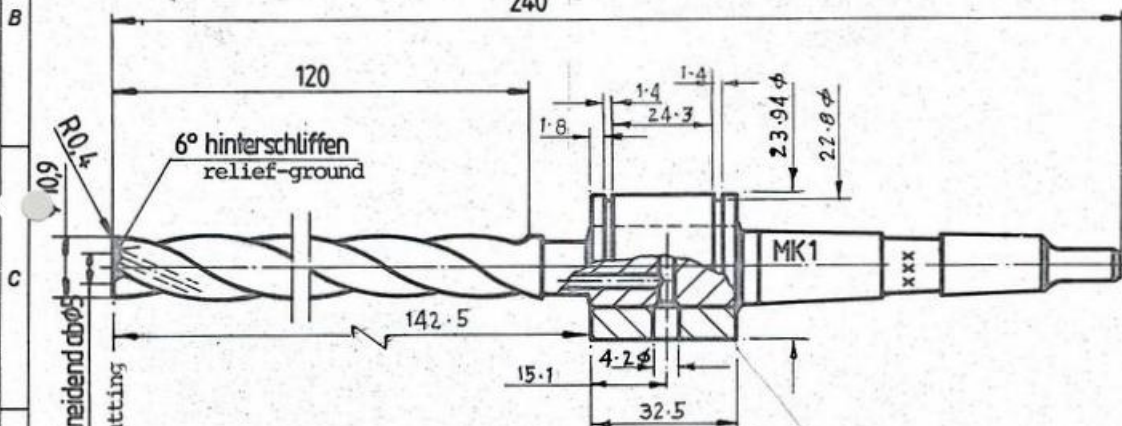
Spanwinkel 5° im Kern angeschliffen
angle at rake round at center



240

120

6° hinterschleifen
relief-ground



stirnschneidend $\phi 10.9$
face cutting

Hier Beschriftung $\times \times \times$
Mittelschrift 2,5 DIN 1451
Zchnng.-Nr. 1013 - 02. 25 W 95
Werkstoff: HSS

Hergestellt aus Spiralbohrer $\phi 10,9$ mit innerer Kühlmittelzuführung,
der Fa. Stock. Typ V70 - IK ähnlich DIN 341

Manufactured from twist drill $\phi 10,9$ with
internal coolant feed of Messrs. Stock
Type V70 - IK similar to DIN 341

27/12

| | | | | | | | | | |
|---|--|---------------------|--|---|--|--------------------|--|---------------|--|
| Werkstoff | | a | | Spanwinkel nachgetragen | | 18.6.84 | | ll | |
| Buchstabe | | Buchstabe kommt vor | | Änderung | | Tag | | Name | |
| Maßstab 1:1 | | DIN-Format A 4 | | Tag | | Name | | Zeichnung-Nr. | |
| Entworfen | | 2. 2. | | Geprüft | | 1013 - 02. 25 W 95 | | Ersatz für | |
| Paßmaß | | Abmaß | | Diese Maße werden bei Abnahme besond. gepr. | | Normgepr. | | Ident-Nr. | |
| Maße ohne Toleranzangabe nach DIN 7168 mittel-R | | | | | | | | 331 163 | |