



Government of Pakistan
PAKISTAN ORDNANCE FACTORIES
TENDER ENQUIRY

To,

M/s _____,

Dear Sirs,

Reference : TENDER ENQUIRY NO 0021-LP-PUR-SAA-51, Dated: 09-10 -2020.

You are requested to submit quotations for the item (s) noted in the schedule to the Tender. Offer should be sent duly sealed in an envelope. Please note the following instructions for filling the tender:-

1. SUBMISSION OF TENDER

1.1 Tenders will be opened at 1000 hours on **09-11-2020** and must reach **at Bid Centre adjacent to Rabita Hall** at least half an hour earlier than the opening time. The tender received late will not be entertained

1.2 Only one tender should be included in one envelope. The outside of the envelope should be inscribed with:-

Tenders Enquiry No.: **0021-LP-PUR-SAA-51**
Tender to be opened on **09-11-2020**
Address as follows:-

Bid Centre Adjacent To Rabita Hall
GM-PPC-SAA & BM
POFs WAH CANTT.
PAKISTAN.

1.3 If envelope do not indicate reference of T.E. or received late the same may be returned un-opened.

1.4 EVALUTION CRITERIA.

All the technical proposals will be evaluated/scrutinized initially and commercial proposals of only those bidders will be opened who will be technically prequalified/accepted. Accordingly, Order/contract will be placed on the lowest evaluated/technically qualified bidder.

2 GENERAL INSTRUCTIONS REGARDING PREPARATION OF QUOTATIONS:

2.1 For materials, the prices should be filled in column 5 and delivery date in column 6 of the schedule to this Tender Enquiry. The undertaking should be signed at the bottom of the schedule which shall form the quotation. You may use a separate sheet if necessary.

2.2 **Tendering procedure as laid down in PPRA Rule No. 36(b) i.e. Single Stage two envelopes will be applicable.**

- 2.3. For Plant and Machinery, you are required to quote in two parts:-
Part I “Technical Offer”. It should exclusively give technical details and literatures/ brochures of the offered plant, machinery and equipment, validity date: delivery schedule and signed undertaking given on the schedule to this Tender enquiry. It is must not indicate price, costs etc.
Part II “Commercial Offer”: It should indicate the commercial terms e.g. price, terms of payment, mode of payment, mode of supply.
 Each part should be placed in a separate sealed cover. The envelopes should be inscribed with Part I “Technical Quotation without Price” and Part II “Commercial Quotation with Price”.
- 2.4 The quotation must remain valid for, at least 90 days from the date of opening of tenders.
- 2.5 The quotation should hold good for any reduced or enhanced quantities without notice.
- 2.6 In the event of non-acceptance of offer, no intimation will be given to the Tenderers.
- 2.7 Conditional offers or alternative offers are likely to be ignored.
- 2.8 Quotations should be based on:-
 F.O.R. station of despatch basis, i.e. delivered free on rail, inclusive of packing and forwarding charges. The stores will be booked under Military Credit Note, to be provided by the purchaser.
 and/or
 Free delivery at POF’s stores at **WAH CANTI**
 In this case Octroi duty will be payable by the supplier.
- 2.9 Taxes and Duties etc. where applicable, must be shown separately, quoting reference to Registration No. in cases of Sales Tax and relevant authority in the case of others. Offers without these clarifications and inclusive of Taxes and Duties may be ignored.
- 2.10 Taxes and duties levied on or after Tender opening date or on or after the date offer was signed and dispatched will be allowed to include in the offered rates.
- 2.11 “Suppliers will furnish a certificate, issued by Excise & Taxation deptt., that he has cleared all Professional Tax payable by him” offers received without this certificate will be rejected.
- 2.12 Suppliers will render necessary information regarding hazardous effects on environment of the materials/products supplied by them, in their quotations and shipping/despatch documents.
- 2.13 If the requisite information is not furnished on the T.E. forms or offer received is not conformity with the requirement of T.E. such offer shall be ignored.

3. INSPECTION

- 3.1 Supplies shall be subject to the inspection and acceptance by the competent inspection authority nominated by the Purchaser, who will arrange it at his own cost Inspection facilities such as tools, test equipment, instruments etc. will, however, be provided by the Suppliers in accordance with the relevant specifications.
- 3.2 Where considered necessary by the Purchaser, the stores may be obtained on Warranty/Guarantee subject to inspection on receipt. Rejected stores will be removed and replaced with the acceptable stores by the Supplier at his own expense, within a specified time.

(Cont’d.....P/3)

4. TENDER FEE.

The tender must be accompanied by a non-refundable fee by means of a crossed postal order /pay order of Rs. 500 in favour of Director Admin POFs Wah Cantt.

5. BID MONEY.

- 5.1 Bid Money at the rate of 2% (for registered firms) and 5% (for unregistered firms) of the quoted value should accompany the tender in the shape of Deposit At Call Receipt, from a scheduled Bank drawn in favour of

GM-PPC-SAA & BM POFs WAH CANTT.

Tenders received without Bid Money will be rejected.

- 5.2 Bid Money of the unsuccessful tenderers will be returned as soon as the scrutiny of the tenders is completed. Bid money of the successful tenderers will be retained until the contract is finalized. Bid money will be forfeited in case the quotation is withdrawn before the expiry of its validity date.
- 5.3 State owned organizations are not required to provide Bid Money.

6.1 PERFORMANCE BOND.

- (a) The successful bidder shall provide Performance Bond at the rate, of 10% of the value of contract, in the form of a Deposit At Call Receipt from a scheduled Bank; or, an unconditional Bank Guarantee valid for 12 months (03 months extendable to 12 months in case of cloth items required by Clothing Fy.) after receipt of store in POFs on a prescribed format. The performance Bond will be in favour of **C.M.A. POFs Wah Cantt.** It will be returned on satisfactory completion of contract.
- (b) If the Supplier fails to furnish the Performance Bond within the specified time, such failure will constitute a breach of the contract and the Purchaser shall be entitled to make other arrangements for purchase of the stores at the risk and expense of the Supplier.

(Cont'd.....P/4)

6.1 Performance Bond from State owned organizations may be waived off at the discretion of the Purchaser.

6.2. **FAILURE TO SUPPLY THE STORES**

All deliveries must be completed by the specified date. If the failure to deliver the stores within the scheduled time should have arisen from "Force Majeure", which the Purchaser may admit as reasonable ground for further time, he will allow such additional time as he may consider to have been required by the circumstances of the case. Otherwise, he will be entitled, at his discretion, to cancel the contract; and/or, claim liquidated damages upto 2% but not less than 1% of the contact price of the items and their quantities for each and every month or part of a month, beyond the specified delivery date, during which these may not be delivered, subject to a maximum of 10% of the total contract value of the particular stores which remained unsupplied either in part or in full: or, to purchase from elsewhere, the unsupplied stores at the risk and cost of the Supplier.

6.3 **PAYMENT**

Payment will be made by the C.M.A. through crossed cheque on receipt/acceptance of stores on our prescribed bill form supported by receipt voucher on part/full supply basis.

6.5 (a) Payment of duties/Taxes including professional tax (where applicable) must be supported by proof of having paid these to concerned Govt. Taxation Deptt:

7. **SECURITY OF INFORMATION**

The tenderer and his employees must not communicate any information relating to the sale/purchase of stores under this enquiry to any person other than the manufacturer or to any press or agent not authorized in writing by POFs to receive it.

Please return the Schedule to the Tender duly signed by the specified date, alongwith the specifications, drawings etc, if any, enclosed herewith – even if you are unable to quote.

WARNING In case the firm abstain from making offers or fail to return/acknowledge the tender form by the specified date on three consecutive occasions, no further tender enquiry may be issued to them and their names would be liable to remove from approved list.

Note:-

Offers/bids through E-Mail & Fax are not acceptable. The offers/bids must be submitted on firm's original letter head pad through Mail/Courier.

Yours faithfully,

MANAGER-PUR-SAA&BM
For PAKISTAN ORDNANCE FACTORIES

Contact Info:



Exchange: i. 051-9055000, ii. 051-4514000

Direct: 051-905521071

Fax:

i. 051-9271400, ii. 051-9314100

Email:

mdsaa@pof.gov.pk

Address: MD-SAA&Brass Mills, Pakistan Ordnance Factories, Wah Cantt.

PAKISTAN ORDNANCE FACTORIES.

SCHEDULE TO T.E NO. 0021-LP-PUR-SAA-51, DATED: 09-10-2020.

09-11-2020

FOR MATERIALS

(1)	(2)	(3)	(4)	(5)		(6)
Item No	Description	Unit	Qty	Price per Unit for or free delivery		Delivery Date
				In Figures	In Words	
01	Steel Ammunition Container H-14/P, MK-1, Drawing No. AA-883 (2 Sheets) (Copy enclosed). Specification No. L-9994 "Latest Issue" Issue – 2 (C)	Nos	75000			31-03-2021

(2) Special Conditions/Bid Evaluation Criteria:

For technical evaluation, firms having experience, capability and resources may participate along with the following information and documents: -

i.	a. Name of firm along with Postal Address, Phone, Fax # & e-mail address. b. List of Personnel & Details of Technical staff.
ii.	Only registered suppliers with Sales Tax and Income Department who are on Active Taxpayers List (ATL) of FBR are eligible to participate in the bid. Documentary proof of the same must be attached with the bid.
iii.	Photocopy of NTN & PTC Certificate duly attested by Gazetted Class-I Officer must be attached with the bid.
iv.	Participating firms should have not defaulted in any contract with POF or any other govt. organization.
v.	All the contracts received from SAA Factory Wah during last 02 years successfully completed without any default.
vi.	Bids will be opened as per PPRA Rules 36 (b) "Single Stage – Two Envelop Procedure" in which the bid shall comprise of two separate envelopes: Technical proposal and commercial proposal. Initially only Technical Offer will be opened.
vii.	Price escalation clause is not allowed. No fax or e-mail offer will be accepted.
viii.	Supplier must accept all the terms and conditions embodied in POF 1281 (General conditions of contract) and in T.E general instructions Performa form POF 1262 A (indigenous supplies).
ix.	Rates and sales Tax must be shown separately otherwise rate will be considered inclusive of G.S.T.
x.	Share if interested firm have sufficient knowledge / technical know how about the store, specification testing procedures and end use.
xi.	Clearly mention your firm is OEM manufacturer/supplier of this specific store.
xii.	Similar nature of contracts in hand along with names and addresses of Clients.
xiii.	Firm is last/previous successful supplier of indented stores.
xiv.	Pre-qualified for similar nature of stores with other organizations.

Cont....

xv.	Please clearly confirm our specs/drawings. Conditional or alternative offers are likely to be ignored.
xvi.	The firm is well aware about inspection authority and procedures.
xvii.	Inspection of store will be carried out by CIA Rawalpindi or his authorized rep.
xviii.	In offer giving any inspection other than specified inspection will not be accepted.
xix.	The store must be protected adequately and appropriately against damages from environmental effects, water or other substances during journey/transportation to withstand the rough handling involved in the transit and provide preservation of store while held in the storage by the supplier.
xx.	Any quantity of store, if found defective functionally, will essentially be replaced by the supplier free of cost under his own arrangements.
xxi.	Give brief account of your in house inspection criteria/quality control dept & instruments available in your lab.
xxii.	Acceptable sample will be provided before tender opening, please confirm.
xxiii.	Also furnish list of your manufactured products with pictures.
xxiv.	Affidavit for Not Blacklisted/involved in arbitration/litigation with any client during last 5 years.

(3) UNDERTAKING:

Should our offer be accepted, we hereby undertake to supply the stores/render the services contracted on the basis of General Conditions of Contract embodied in Form POF 1281, and to deposit the performance bond within 07 days, failing which it will constitute a breach of contract, and POF will have the right to purchase the stores/services elsewhere at our risk and cost.

Place: _____
Date: _____

Signature of the Tenderer _____
Name _____
Position _____
Address _____
Income Tax G.I.R No. _____

TO SPECN. DEF-STAN. 88-18/2 AND FINISHED TO BE FINISHED WITH PAINT FINISHING STOVING.

NOTES

FOR EXPLANATION OF DIMENSIONING ETC., SEE P.A.D. NOTE SHEET NO 1.

PAINTING
CONTR. TO BE PAINTED INTERNALLY & EXTERNALLY AS FOLLOWS:
FOR ONE PRIMARY COAT OF PAINT RED OXIDE OF IRON/ZINC CHROME AIR DRYING TO DEF-STAN 88-7/3.
FOR ONE FINISHING COAT OF PAINT GENERAL SERVICE AIR DRYING TO DEF-STAN 88-54/2 OF SERVICE BROWN COLOUR TO SHADE 449 OF B.S. 39C.
ALL STEEL COMPONENTS TO BE PHOSPHATED TO SPECIFICATION DEF-STAN 88-17/8 CLASS II BEFORE PRIME COAT.

GASKET REQUIREMENTS

910 COMPRESSION OF GASKET WHEN CLOSED.
CONTR. TO BE FULLY AIR-TIGHT & TESTED.
CONTR. TO BE SEALED WITH LEAD SEAL ON EITHER SIDES.

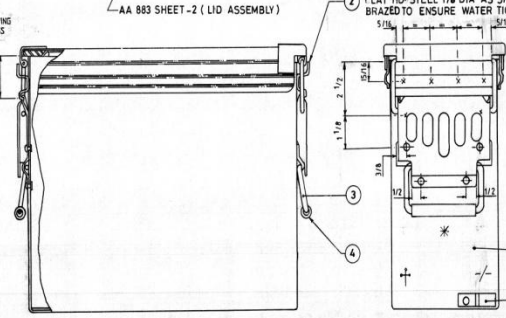
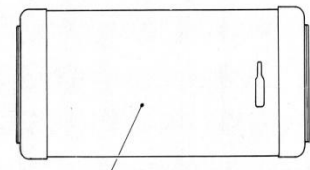
TO BE EMBOSSED ON R.H. END IN 3/4 TYPE

NUMBER & MARKS OF CONTAINER.
CONTRACTOR'S INITIALS OR RECOGNISED TRADE MARK.
YEAR OF MANUFACTURE.

SUB HEADING PAINTS

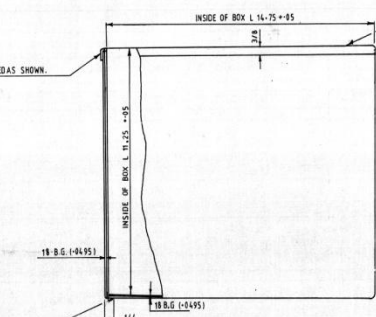
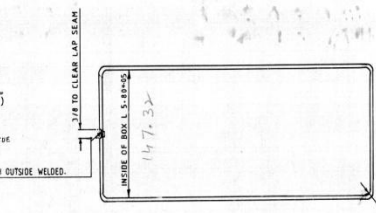
TOUCHING UP OF DAMAGED PAINT SURFACES

TOUCHING UP DAMAGED PAINT OR SURFACES, IN ACCORDANCE WITH PARA 64 OF SPECIFICATION NO L-9994C ISSUE 2, MAY BE DONE WITH PAINT PRIMING AIR DRYING TO SPECIFICATION NO DEF-STAN 88-7 (LATEST ISSUE) AND PAINT FINISHING AIR DRYING TO SPECIFICATION NO DEF-STAN 88-54 (LATEST ISSUE) ON EXTERNAL SURFACES ONLY.
INSPECTION/TESTING OF AMMO. CONTAINER BE CARRIED OUT AS PER SPECIFICATION L-9994 LATEST ISSUE

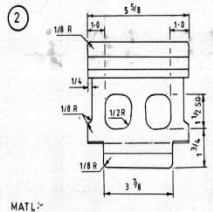


EACH SECURED TO BODY BY 6 SPOT WELDS AND 4 RIVETS
FLAT HD. STEEL 1/8 DIA AS SHOWN HEAD OF RIVETS TO BE BHAZED TO ENSURE WATER TIGHTNESS.

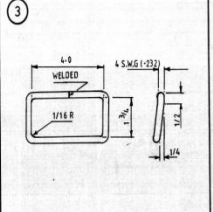
NIGHT IDENTIFICATION (DRG. NO. AA-710 2 SHEETS) APPLICABLE TO BE SOLDERED TO BOX BEFORE PAINTING.



1/4 BOTTOM TO BE SECURED TO BODY BY SEAM WELDING MINIMUM DISTANCE FROM END OF BODY TO EDGE OF WELD 1/8 FINISHED JOINT TO BE WATER TIGHT.



MATL - MILD STEEL SHEET/PLATE TO BS-1449 P1-1 1983 MATERIAL GRADE 34/20 OR 43/25 OR PAK STEEL MILLS CR2 DRAWING QUALITY OR PAK STEEL MILLS CR-3 2-PER SET.



MATL - M.S. WIRE TO SPECN. B.S.1032 MILD DRAWN 2-PER SET.

SEALED 16-2-73	
AMENDMENTS	
DATE	NATURE
4-8-80	GASKET SPECN. ADDED.
10-12-87	UNDER NOTES NOTE RE DIA OF SPOT WELD ADDED.
10-12-87	NOMEN. & DETAIL. NOMEN. REVISED.
1-8-92	IDENTIFICATION NOTE ADDED.
1-5-92	NOTE RE SEALING ADDED.
1-5-92	DETAIL. NOMEN. AMENDED.
16-2-93	DRG. SEALED.
28-2-93	WIDTH OF ITEM NO. 2, 5/8 WAS 5/8
3-5-93	DETAIL. NOMEN. AMENDED.
14-3-94	ITEM NO. 1, 2 & 4, MATL. AMENDED
1-8-94	SPECN. OF MATL. IN ITEM NO. 3 AMENDED
1-8-94	UNDER HEADING NOTES DEF-STAN 88-13 WAS DEF-1036 DEF-STAN 88-48/1 WAS DEF-1096 AND DEF-STAN 88-11/1 WAS DEF-29 A
29-3-94	5 WAS 5/8 IN ITEM NO. 1 4 RIVETS CIRCLE SHOWN IN ITEM NO. 1 IN SIDE VIEW OF ASSY. AMENDED TO DOTTED LINE CIRCLE.
10-11-94	DETAIL. NOMEN. AMENDED AS NOW SHOWN.
18-3-94	DEF-STAN 88-13/2 WAS DEF-STAN 88-13 UNDER NOTES.
3-8-94	DIMENSION L 1-10 - 25 WAS L 5-75 + 0.5 ON INTERNAL WIDTH.
2-8-94	TOUCHING UP OF DAMAGED PAINT SURFACES NOTE ADDED.
1-8-94	NIGHT IDENTIFICATION NOTE ADDED.
1-8-94	3/4 TYPE WAS 1/4 TYPE UNDER HEADING NOTES AMENDMENTS.
1-8-94	3/4 TYPE WAS 3/8 TYPE UNDER HEADING NOTES AMENDMENTS.
1-8-94	TO PACK 280 RDS. 12.7 MM WAS 280 RDS.
1-8-94	OR PAK STEEL MILLS CR2 DRAWING QUALITY ADDED.
2-11-94	NOTES PAINTING CHANGED.
2-11-94	AA-70/119 CHG. L. 2.6-6-20/2 INSPECTION/TESTING ADDED
2-11-94	7-62 x 51MM BALL WAS 7-62 x 51MM BALL L2A2 OF TYPE L64 NO. INSPECTOR'S APPROVAL 18/80001/1/31-3-2004.
2-11-94	OR PAK STEEL MILLS CR-3 ITEM NO. 1, 2 & 4
2-11-94	DEF-STAN 88-13/2 ADDED DEF-STAN 88-10/2 WAS 88001/1/31-3-2004
2-11-94	DEF-STAN 88-48/1 DEF-STAN 88-11/1 WAS DEF-STAN 88-11/2

AMMUNITION CONTAINER H 14-P MK 1

STEEL TO HOLD 1000 ROUNDS 7-62 x 51MM BALL IN 50 CARTONS SMALL ARMS AMMO. NO 7/P.M.K.1 (101-4068)
EACH CONTAINING 20 ROUNDS, CONTAINED IN BAG PLASTIC NO 4 MK1(101-4005) & ALSO TO PACK 280 RDS. 12.7MM AP-1 (100-0130) OR AP-1-T (100-0131)

DIMENSIONS ARE IN INCHES SCALE - INT'S THIRD ANGLE PROJECTION	2-SHEETS	SHEET 1
MATERIAL - AS ABOVE		
DRAWN	TRACED	
TESTED	BY	
EXAMINED BY		
DATED	1-8-94	FOR CHG.

TRACED	CHECKED	CHECKED	APP'D
S. RAZA HOSSAIN / E/MAN	MUSHTAQ BAIG / JFM	Q. Z. NAZ / FM	IFTIKHAR XLI / AM

