

Managing Director (W),
47040 POFs Wah Cantt.
Tel: +92-51-9055-21015
Fax: +92-51-9271400/9314100
Email: mdwpm@pof.gov.pk

POF 1262
(FOREIGN SUPPLIES)

GOVERNMENT OF PAKISTAN
PAKISTAN ORDNANCE FACTORIES
TENDER ENQUIRY.

To

M/s _____

Dear Sirs,

Reference: **TENDER ENQUIRY NO. 0020/WPN/FP/52. DATED** 28-06-2021

You are requested to submit quotations for the items(s) noted in the Schedule to the Tender. Offers should be sent duly sealed in an envelope. Please note the following instructions for filling the tender:-

1. **SUBMISSION OF TENDER**

1.1 Tenders will be opened at 1030 hours on (28-07-2021) and must reach this office on or before 1100 hour upto due date. The tender received late will not be entertained. You may witness the opening of the tender if you so desire. If a representative is deputed, he should bring a letter of authority from you.

1.2 Only one tender should be included in one envelope. The outside of the envelope should be inscribed with:-

Tender Enquiry No:
Tender to be opened on:
Address as follows:-

Room No.3 Bid Centre.
GM-PPC-WPNs POF Wah Cantt.

1.3 If envelope does not indicate reference of T.Es or received late the same may be returned un-opened.

2. **GENERAL INSTRUCTIONS REGARDING PREPARATION OF QUOTATIONS**

2.1 For materials, the prices should be filled in column 5 and delivery date in column 6 of the schedule to this Tender Enquiry. The undertaking should be signed at the bottom of the Schedule which shall form the Quotation. You may use a separate sheet if necessary.

2.2 For Plant and Machinery, you are required to quote in two parts:-

Part I **"TECHNICAL OFFER"** It should exclusively give technical details and literatures/brochures of the offered plant, machinery and equipment; validity date; delivery schedule; and signed undertaking given on the schedule to this Tender Enquiry. It must not indicate price, costs etc.

Note: Strict compliance instructions mentioned as per Annex-A.

Part II **"COMMERCIAL OFFER"** It should indicate the commercial terms e.g. price, terms of payment, mode of payment, mode of supply.

Each part should be placed in a separate sealed cover. The envelopes should be inscribed with: Part I "Technical Quotation without price" and Part II "Commercial Quotation with Price."

- 2.3 The quotation must remain valid for, at least 90 days from the date of opening of tenders.
- 2.4 The quotation should hold good for any reduced or enhanced quantities without notice.
- 2.5 In the event of non-acceptance of offer, intimation may be given to the tenderers on their request.
- 2.6 Conditional offers or alternative offers are likely to be ignored.
- 2.7 Quotations should be based on CFR Karachi basis/ FOR basis.
- 2.8 Submission of the offer through an agent in Pakistan should be avoided. In case it is considered inevitable, the agent's quotation must invariably be accompanied by the original performa invoice from the principals/ manufacturers.
- 2.9 Country of origin and port of shipment to be stated.
- 2.10 The offer of principal must clearly indicate whether the rate quoted is inclusive of agent's commission, and if inclusive rate of commission included be specified.
- 2.11 Suppliers will render necessary information regarding hazardous effects on environment, of the materials/products supplied by them, in their quotations and shipping/Dispatch documents.
- 2.12 If the requisite information is not furnished on the T.E form or offer received is not in conformity with the requirement of the T.E such offer shall be ignored.

3. **INSPECTION**

- 3.1 Supplies shall be subject to the inspection and acceptance by the competent inspection authority nominated by the Purchaser, who will arrange it at his own cost, inspection facilities such as tools, test equipment, instruments etc will, however, be provided by the Suppliers in accordance with the relevant specifications.
- 3.2 Where considered necessary by the Purchaser, stores may be obtained on Warranty/Guarantee, subject to inspection on receipt. Rejected stores will be removed and replaced with the acceptable stores by the Supplier at his own expense, within a specified time.

3.3 **TENDER SAMPLE**

Where required offer must accompany tender sample strictly according to the description given in tender Enquiry. Offer not accompanied by tender sample will NOT be entertained excepting the established and reputable firms who have either previously satisfactorily supplied the same or similar stores or have submitted an acceptable samples thereof against previous T.E.

4. **ACCEPTANCE OF OFFERS**

- 4.1.1 The procuring agency may reject all bids or proposals at any time prior to the acceptance of a bid or proposal. The procuring agency shall upon request communicate to any supplier or contractor who submitted a bid or proposal, the grounds for its rejection of all bids or proposals, but is not required to justify those grounds.

4.1.2 Procuring agency shall incur no liability, solely by virtue of its invoking sub-rule (1.1) towards suppliers or contractors who have submitted bids or proposals.

4.1.3 Notice of the rejection of all bids or proposals shall be given promptly to all suppliers or contractors that submitted bids or proposals.

4.2 PERFORMANCE BOND

(a) The successful bidders will provide Performance Bond at the rate upto 10% of C&F value of contract in favour of the Controller Military Accounts (CMA) POF Wah Cantt. The Performance Bond will be furnished in the form of Deposit At Call Receipt (CDR) from any scheduled Bank in Pakistan or an unconditional bank guarantee on prescribed proforma covered by any scheduled bank in Pakistan. The Performance Bond shall be furnished within 45 days from the date of opening of Letter of Credit. It shall be valid for a period of 12 months after the date of expiry of letter of credit. If the Performance Bond is not furnished within the prescribed time of 45 days, the Purchaser reserves the right to:

- i. Impose penalty @ 1 % per month of the value of CDR/BG.
(Clause-4.2 (a i) is not applicable in case of procurement of
Plant / Equipment / Machinery items)
OR
- ii Cancel the contract and make other arrangements for purchase of the stores at the risk and expense of the Supplier.

(b) No Performance Bond will be required if the total CFR value of the contract is less than US\$ 50,000 and contract is placed directly on the foreign Supplier.

4.3 FAILURE TO SUPPLY THE STORES

All deliveries must be completed by the specified date. If the failure to deliver the stores within the scheduled time should have arisen from "Force Majeure", which the Purchaser may admit as reasonable ground for further time, he will allow such additional time as he may consider to have been required by the circumstances of the case. Otherwise, he will be entitled, at his discretion, to cancel the contract; and/or, claim liquidated damages upto 2% but not less than 1% of the contract price of the items and their quantities for each and every month or part of a month, beyond the specified delivery date, during which these may not be delivered, subject to a maximum of 10% of the total contract value of particular store which remained unsupplied either in part or in full or, to purchase, from elsewhere, the unsupplied stores at the risk and cost of the Supplier.

4.4 PAYMENT

Payment will normally be made by means of irrevocable letter of credit. Unless otherwise stated 90% payment will be released on submission of Dispatch documents to Bank while balance 10% payment will be released on receipt and acceptance of store by the consignee.

All Bank charges incurred in Pakistan in connection with the establishment of L.C. will be borne by the Purchaser, whereas all Bank charges incurred in connection with drawing of payment including charges for confirmation of L.C. by the advising Bank/Foreign Bank will be borne by the Supplier.

5 SECURITY OF INFORMATION

The tenderer and his employees must not communicate any information relating to the sale/purchase of stores under this enquiry to any person other than the manufacturer or to any press or agent not authorized in writing by POFs to receive it.

Please return the Schedule to the Tender duly signed by the specified date, along-with the specifications drawings etc. if any, enclosed herewith - even if you are unable to quote.

WARNING

In case the firm abstain from making offers or fail to return/acknowledge the tender form by the specified date on three consecutive occasions, no further tender enquiry may be issued to them and their names would liable to be removed from the approved list.

Yours faithfully,



(ILYAS NAVEED)
Managing Director -WPNs
POFs Wah Cantt.
for PAKISTAN ORDNANCE FACTORIES

PAKISTAN ORDNANCE FACTORIES

SCHEDULE TO TENDER ENQUIRY NO. 0020/WPN/FP/52. DATED 28-06-2021

(1) **FOR SPECIAL TOOLING**

(1)	(2)	(3)	(4)	(5)		(6)
Item No.	Description with Specs. etc.	Unit	Qty.	Price per Unit CFR Islamabad airport		Delivery Date
				In Figures	In Words	
01	BROACH FOR SQUARE HOLE STROKE OVER ALL LENGTH OF BROACH APPROX 850MM 9.82 MOS OP-1 SK/COM 1631B 082 0999 DRG.NO. SKT/2496	No.	10			Most Immediate.

(2) For Plant & Machinery:

Specification:-

(3) Special Conditions.

(4) **Undertaking**

Should our offer be accepted, we hereby undertake to supply the stores/render the services contracted on the basis of General Conditions of Contract embodied in Form POF 1282, and to deposit the performance bond within the prescribed time, failing which it will constitute a breach of contract, and POF will have the right to purchase the stores/services elsewhere at our risk and cost.

Place _____
Date _____

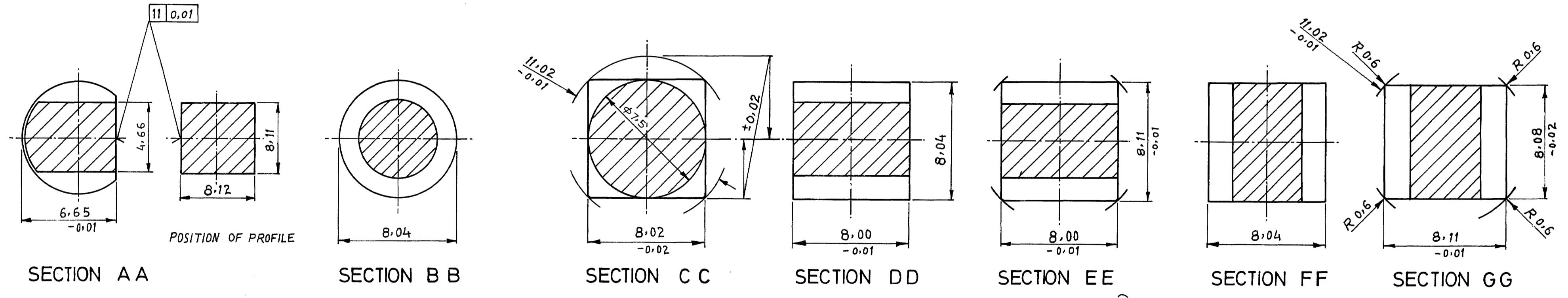
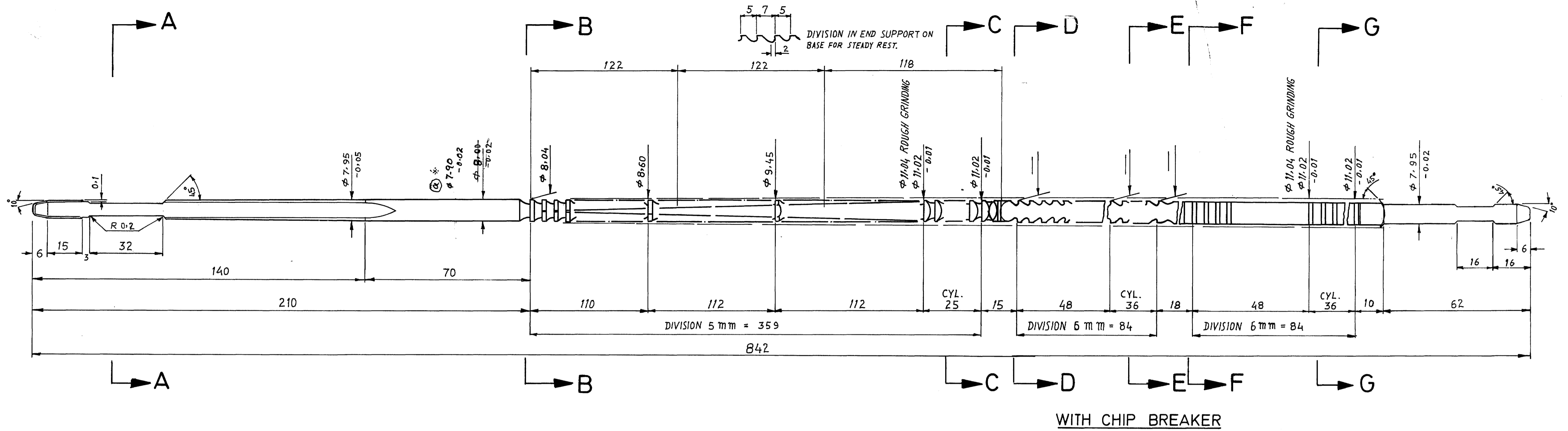
Signatures of the Tenderer _____
Name _____
Position _____
Address _____
Income Tax G.I.R.No. _____

Special Conditions:

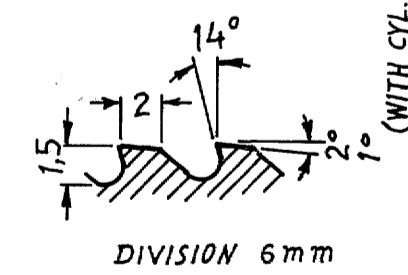
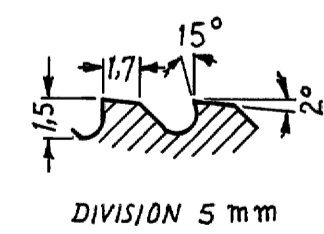
1. Quotation/Offer shall be submitted such as that one envelope shall have the Technical Specifications of the store along with the quantities to be offered against the exact number of the item as per the Tender and second envelope shall have the prices. Moreover **"TECHNICAL PROPOSAL"** and **"COMMERCIAL PROPOSAL"** shall be written in **BLOCK CAPITAL LETTERS** on the respective sealed envelopes which shall be placed further in a large envelope bearing complete details of the tender inquiry. **ONLY TECHNICAL OFFERS WILL BE OPENED ON THE SPECIFIED DATES.**
2. **The offered quantity shall strictly be in accordance with our tendered quantity. However, if the firm wishes to offer the competitive rates but with increased quantities as compared to the original tendered quantities then the firm can do so by submitting a secondary offer. But submission of offer against the tendered quantities is recommended (especially in the case of steel materials) as commercial evaluation will first be carried out with regards to the tendered quantities. A firm cannot claim to be the lowest bidder if it has not matched the required quantity.**
3. **For foreign manufacturers / suppliers**
Rates shall preferably be on CPT / C&F basis. Otherwise standard freight charges will be considered while evaluation of offers.
4. **For local manufacturers / suppliers**
Rates shall invariably be on FOR basis
5. Local Manufacturers will be given preference but in case of local manufacturer, firm shall clearly indicate at top of the Technical offer i.e. **"LOCAL MANUFACTURER"** and if considered necessary purchaser may ask to visit the manufacturer's premises for confirmation.
6. In case, imported item is being offered, country of origin must be mentioned.
7. Participating firms should have not defaulted in any contract with any govt. organizations within or outside Pakistan.
8. Firm should not be blacklisted in any of the govt. organizations within or outside Pakistan. In this regard firm should provide "No Blacklisting Certificate".
9. Firms having excellent past record of supply/experience as far as quality and timely provision of store is concerned will be given preference.
10. Over writing and cutting of any nature in the quotation will not be accepted.
11. Bid money and Tender fee must be attached as mentioned in the TE.
12. Bid should be duly signed by the authorized person.
13. Company profile indicating vision, mission, establishment, business details, after sale service, financial health must be attached.
14. Detail of supply of similar goods to other customers.
15. Performance Bond/Bank Guarantee submission confirmation would be mandatory.
16. Confirmation regarding settlement of inspection related issues with the respective inspection agency would have to be made.

17. Export license related matter is the sole responsibility of supplier & it shall not cause delay in execution of the contract. Confirmation to this effect has to be made.
18. Proof of ATL, NTN, Professional Tax Certificate & Certificate of registration with FBR.
19. 100% Payment will be made after receipt and acceptance for firms participating first time with POF.
20. On demand, the bidder will invariably provide advance sample of the offered items within the time limit specified by the purchaser. In case advance samples are not provided by due date, their offer will be set-aside/ignored.
21. In case of incomplete or missing info the offers will not be entertained and discarded on spot.
22. OEM authorization in favour of supplier participating in TE.
23. Technical data sheet of offered store by OEM must be accompanied.
24. Export permission certificate from relevant authorities of Country of Origin.
25. Any technical clarification can be obtained through following e-mails addresses:
mdwpn@pof.gov.pk

IF IN DOUBT ASK!



SCALE = 5:1



1. CYL. TOOTH WITH CHIP BREAKER WITHOUT CHAMFER.
2. CYL. TOOTH WITHOUT CHIP BREAKER WITHOUT CHAMFER.

DET. NO.	NO. OFF	DESCRIPTION	MATERIAL	STOCK SIZE	HARDENED HEAT TREATMENT
1	1	BROACH	DM 5	Φ16 x 850	HARDENED
					DRAWN: Ghulam Muhammad
					TRACED
					CHECKED <i>[Signature]</i>
					APPVD.
					SCALE 1:1
					BASED ON
30-8-19	@X1	Dimension φ7.9 was φ8.00			<i>[Signature]</i>
DATE	MDD. NO.	AMENDMENTS		SIGR.	1013-02.07 W21
BROACH FOR BOLT HEAD					P.O.F. (W)
SIZE Φ 8D ₁₀					SKIT-2496
G3A3 & MP5A2					DATE: 23-4-87