



POF 1262-A
(INDIGENOUS SUPPLIES)

**Government of Pakistan
PAKISTAN ORDNANCE FACTORIES
TENDER ENQUIRY**

To

M/s

Dear Sirs,

Reference : TENDER ENQUIRY NO. 0458/LP/A/49/P-AA

DATED 03-SEP-19

You are requested to submit sealed quotations for the item(s) noted in the Schedule to the Tender. Offer should be sent duly sealed in an envelope. Please note the following instructions for filling the tender:-

1. SUBMISSION OF TENDER

- 1.1 Tenders will be opened at 12:30 hours on 24-SEP-19 and must reach in POF Bid Center on or before 12:00 hours up to the due date. The tender received late will not be entertained. You may witness the opening of the tender if you so desire. If a representative is deputed, he should bring a letter of authority from you.
- 1.2 Only one tender should be included in one envelope. The outside of the envelope should be inscribed with:-

Tender Enquiry No: 0458/LP/A/49/P-AA
Tender to be opened on: 24-SEP-19
Address as follows:-

GM-PLANNING-AA

POF WAH CANTT

- 1.3 If envelope does not indicate reference of T.Es or received late the same may be returned un-opened.

2. GENERAL INSTRUCTIONS REGARDING PREPARATION OF QUOTATIONS

- 2.1 For materials, the prices should be filled in column 5 and delivery date in column 6 of the schedule to this Tender Enquiry. The undertaking should be signed at the bottom of the Schedule which shall form the Quotation. You may use a separate sheet if necessary.
- 2.2 For Plant and Machinery, you are required to quote in two parts:-
Part I "Technical Offer": It should exclusively give technical details and literatures/brochures of the offered plant, machinery and equipment; validity date; delivery schedule; and signed undertaking given on the schedule to this Tender Enquiry. It must not indicate price, costs etc.

Cont....P-2

Part II "Commercial Offer": It should indicate the commercial terms e.g. price, terms of payment, mode of payment, mode of supply.

Each part should be placed in a separate sealed cover. The envelopes should be inscribed with: Part I "Technical Quotation without Price" and Part II "Commercial Quotation with Price".

- 2.3 The quotation must remain valid for, at least 90 days from the date of opening of tenders.
- 2.4 The quotation should hold good for any reduced or enhanced quantities without notice.
- 2.5 In the event of non-acceptance of offer, intimation may be given to the Tenderers on their request.
- 2.6 Conditional offers or alternative offers are likely to be ignored.
- 2.7 Quotations should be based on:-

F.O.R. station of dispatch basis, i.e. delivered free on rail, inclusive of packing and forwarding charges. The stores will be booked under Military Credit Note, to be provided by the purchaser.

and/or

Free delivery at POF's stores at **WAH CANTT**

In this case Octroi duty, will be payable by the supplier.

- 2.8 Taxes and Duties etc. where applicable, must be shown separately, quoting references to Registration No. in cases of Sales Tax and relevant authority in the case of others. Offers without these clarifications and inclusive of Taxes and Duties may be ignored.
- 2.9 Taxes and duties levied on or after Tender opening date or on or after the date offer was signed and dispatched will be allowed to include in the offered rates.
- 2.10 "Suppliers will furnish a certificate, issued by Excise & Taxation deptt., that he has cleared all Professional Tax payable by him" offers received without this certificate will be rejected.
- 2.11 Suppliers will render necessary information regarding hazardous effects on environment, of the material/products supplied by them, in their quotations and shipping/dispatch documents.
- 2.12 If the requisite information is not furnished on the T.E forms or offer received is not conformity with the requirement of T.E such offer shall be ignored.

3. INSPECTION

- 3.1 Supplies shall be subject to the inspection and acceptance by the competent inspection authority nominated by the Purchaser, who will arrange it at his own cost. Inspection facilities such as tools, test equipment, instruments etc will, however, be provided by the Suppliers in accordance with the relevant specifications.
- 3.2 Where considered necessary by the Purchaser, stores may be obtained on Warranty/Guarantee subject to inspection on receipt. Rejected stores will be removed and replaced with the acceptable stores by the Supplier at his own expense, within a specified time.

4. TENDER FEE

The tender must be accompanied by a non-refundable fee by means of a crossed postal order/pay order for **Rs. 500/-** in favour of Director Admin POF Wah Cantt

4.1 TENDER SAMPLE

Where required, offer must accompany tender sample, strictly according to the description and specification given in Tender Enquiry. Offer not accompanied by tender sample will NOT be entertained excepting the established and reputable firms who have either previously satisfactorily supplied the same or similar stores or have submitted an acceptable sample thereof against previous T.E.

5. BID MONEY

- 5.1 **Bid Money at the rate of 2% (for registered firms) and 5% (for unregistered firms)** of the quoted value should accompany the tender in the shape of Deposit at Call Receipt/Pay Order/Banker's Cheque, from a scheduled Bank drawn in favour of:-

GM-PLANNING-AA

Tenders received without Bid Money will be rejected.

- 5.2 Bid Money of the unsuccessful tenderers will be returned as soon as the scrutiny of the tenders is completed. Bid Money of the successful tenderers will be retained until the contract is finalised. Bid Money will be forfeited in case the quotation is withdrawn before the expiry of its validity date.
- 5.3 State owned organizations are not required to provide Bid Money.

6. ACCEPTANCE OF OFFERS

- 6.1 POF may reject all bids or proposals at any time prior to the acceptance of a bid or proposals, but is not required to justify grounds for its rejection. POF shall incur no liability towards suppliers or contractors who have submitted bids or proposals.

6.2 PERFORMANCE BOND

- (a) The successful bidders shall provide performance bond at the rate, prescribed by POF Board according to the value of contract, which should not exceed 10% of contract value in the form of Deposit At Call Receipt from a scheduled Bank; or, an un-conditional Bank Guarantee valid for 12 months (03 months extendable to 12 months in case of cloth items required by Clothing Fy.) after receipt of store in POFs on a prescribed format. The performance Bond will be in favour of CMA(POF) Wah Cantt. It will be returned on satisfactory completion of contract.
- (b) If the Supplier fails to furnish the Performance Bond within the specified time, such failure will constitute a breach of the contract and the Purchaser shall be entitled to make other arrangements for purchase of the stores at the risk and expense of the Supplier.

6.3 Performance Bond from State owned organizations may be waived off at the discretion of the Purchaser.

6.4 **FAILURE TO SUPPLY THE STORES**

All deliveries must be completed by the specified date. In case of failure to deliver the stores within the scheduled time should have arisen from "Force Majeure", which the purchaser may admit as reasonable ground for further time, he will allow such additional time as he may consider to have been required by the circumstances of the case. Otherwise, he will be entitled, at his discretion, to cancel the contract; and/or claim liquidated damages upto 2% but not less than 1% of the contract price of the items and their quantities for each and every month or part of a month, beyond the specified delivery date, during which these may not be delivered, subject to a maximum of 10% of the total contract value of the particular stores which remained unsupplied either in part or in full: or, to purchase from elsewhere, the unsupplied stores at the risk and cost of the supplier.

6.5 **PAYMENT**

Payment will be made by the CMA(POF) through crossed cheque on receipt/ acceptance of stores on our prescribed bill form supported by receipt voucher on part/full supply basis.

(a) Payment of duties/Taxes including professional tax (where applicable) must be supported by proof of having paid these to concerned Govt. Taxation Deptt.

7. **SECURITY OF INFORMATION**

The tenderer and his employees must not communicate any information relating to the sale/purchase of stores under this enquiry to any person other than the manufacturer or to any press or agent not authorised in writing by POFs to receive it.

Please return the Schedule to the Tender duly signed by the specified date, along with the specifications, drawings etc. if any, enclosed herewith - even if you are unable to quote.

WARNING In case the firm abstain from making offers or fail to return/ acknowledge the tender form by the specified date on three consecutive occasions, no further tender enquiry may be issued to them and their names would be liable to be removed from the approved list.

Yours faithfully

**KARIM ULLAH KHAN
MANAGER-PUR-AA**

for **PAKISTAN ORDNANCE FACTORIES**

PAKISTAN ORDNANCE FACTORIES

SCHEDULE TO TENDER NO. 0458/LP/A/49/P-AA03-SEP-19**(1) FOR MATERIALS**

(1)	(2)	(3)	(4)	(5)		(6)
Item No.	Description with Specs. etc.	Unit	Qty	Price Per Unit FOR or free delivery		Delivery
				In Figures	In Words	
1	CARBON BRUSHES GRADE OK-3-1.AS PER ATTACHED DRAWING NO. SK/07/0028. Material CU 64.5% Mg, AL and Fe = 0.2% Approx (each) Zn- Pb, Sn = Traces REST Carbon	NO	200			
2	CARBON BRUSH FOR DOUBLE COLUMN PRESS 250 TON SK/06/0169 Material:- CU 64.5% Mg, AL and Fe = 0.2% Approx (each) Zn- Pb, Sn = Traces REST Carbon.	NO	200			
3	CARBON BRUSH FOR STRAIGHT SLIDE CRANK PRESS DRG. NO SK/06/0174 Material:- CU 64.5% Mg, AL and Fe = 0.2% Approx (each) Zn- Pb, Sn = Traces REST Carbon.	NO	200			

(2) For Plant & Machinery:
Specification:-

(3) Special Conditions

- OFFER SHOULD BE BASED ON LOCAL SUPPLY.
- ANY QUANTITY OF STORE, IF FOUND DEFECTIVE FUNCTIONALLY WILL ESSENTIALLY BE REPLACED BY THE SUPPLIER FREE OF COST UNDER HIS OWN ARRANGEMENT.
- THE STORE MUST BE PROTECTED ADEQUATELY AND APPROPRIATELY AGAINST DAMAGES FROM ENVIRONMENTAL EFFECTS, WATER OR OTHER SUBSTANCES DURING JOURNEY/TRANSPORTATION TO WITHSTAND THE ROUGH HANDLING INVOLVED IN TRANSIT & PROVIDE PRESERVATION OF STORE WHILE HELD IN STORAGE BY THE CONSIGNEE.
- DELIVERY WITHIN THREE MONTHS AFTER ISSUE OF FORMAL CONTRACT.
- AFTER PLACING OF CONTRACT, ACCEPTED COPIES OF THE CONTRACT, DULY SIGNED, AND STAMPED MUST BE PROVIDED WITHIN 05 DAYS.
- PARTICIPANTS/BIDDERS ARE OBLIGATORY TO FORWARD NECESSARY CREDENTIALS OF THEIR FIRM SHOWING/ELABORATING DETAILS OF THEIR BUSINESS WITH GOVT./SEMI GOVT. & PUBLIC SECTOR ORGANIZATION/DEPARTMENTS OF PAKISTAN ALONG WITH THEIR QUOTATION.
- STORE WILL ALSO BE INSPECTED UNDER FUNCTIONAL TEST/TRIAL.
- SEALED ENVELOPS CARRYING QUOTATIONS MUST BE INSCRIBED WITH T.E NO. AND DUE DATE, OTHERWISE OFFER WOULD BE IGNORED.

PAKISTAN ORDNANCE FACTORIES

SCHEDULE TO TENDER NO. 0458/LP/A/49/P-AA

03-SEP-19

9. OFFER RECEIVED THROUGH EMAIL WOULD NOT BE ENTERTAINED.

NOTE: A. TENDERS ACCOMPANYING BID MONEY LESS THAN 2% (FOR REGISTERED FIRMS) AND LESS THAN 5% (FOR UN-REGISTERED FIRMS) WILL BE REJECTED.

B. TENDERS ACCOMPANYING NON-REFUNDABLE TENDER FEE LESS THAN Rs.500 WILL BE REJECTED.

C. ONLY THOSE SUPPLIERS, WHO ARE ON ACTIVE TAXPAYER LIST (ATL) OF FBR, ARE ELIGIBLE TO SUPPLY GOODS/SERVICES TO POFs.

D. THE PAYMENT TO THE REGISTERED PERSONS WILL BE LINKED WITH THE ACTIVE TAXPAYER STATUS OF THE SUPPLIER AS PER FBR DATABASE. IF ANY REGISTERED SUPPLIER IS NOT IN ATL HIS PAYMENT WILL BE STOPPED TILL HE FILES HIS MANDATORY RETURNS AND APPEARS ON ATL OF FBR.

SINGLE STAGE-TWO ENVELOPE PROCEDURE:

I. THE BID SHALL COMPRISE A SINGLE PACKAGE CONTAINING TWO SEPARATE ENVELOPES. EACH ENVELOPE SHALL CONTAIN SEPARATELY THE FINANCIAL PROPOSAL AND THE TECHNICAL PROPOSAL.

II. THE ENVELOPE SHALL BE MARKED AS "FINANCIAL PROPOSAL" AND "TECHNICAL PROPOSAL" IN BOLD AND LEGIBLE LETTERS TO AVOID CONFUSION.

III. INITIALLY, ONLY THE ENVELOPE MARKED "TECHNICAL PROPOSAL" SHALL BE OPENED.

IV. THE ENVELOPE MARKED AS "FINANCIAL PROPOSAL" SHALL BE RETAINED IN THE CUSTODY OF BID CENTRE.

V. DURING THE TECHNICAL EVALUATION NO AMENDMENTS IN THE TECHNICAL PROPOSAL SHALL BE PERMITTED.

VI. THE FINANCIAL PROPOSALS OF BIDS SHALL BE OPENED PUBLICLY AT A TIME, DATE AND VENUE ANNOUNCED AND COMMUNICATED TO THE BIDDERS IN ADVANCE.

(4) Undertaking

Should our offer be accepted, we hereby undertake to supply the stores/render the services contracted on the basis of General Conditions of Contract embodied in Form POF 1281, and to deposit the performance bond within the prescribed time, failing which it will constitute a breach of contract, and POF will have the right to purchase the stores/services elsewhere at our risk and cost.

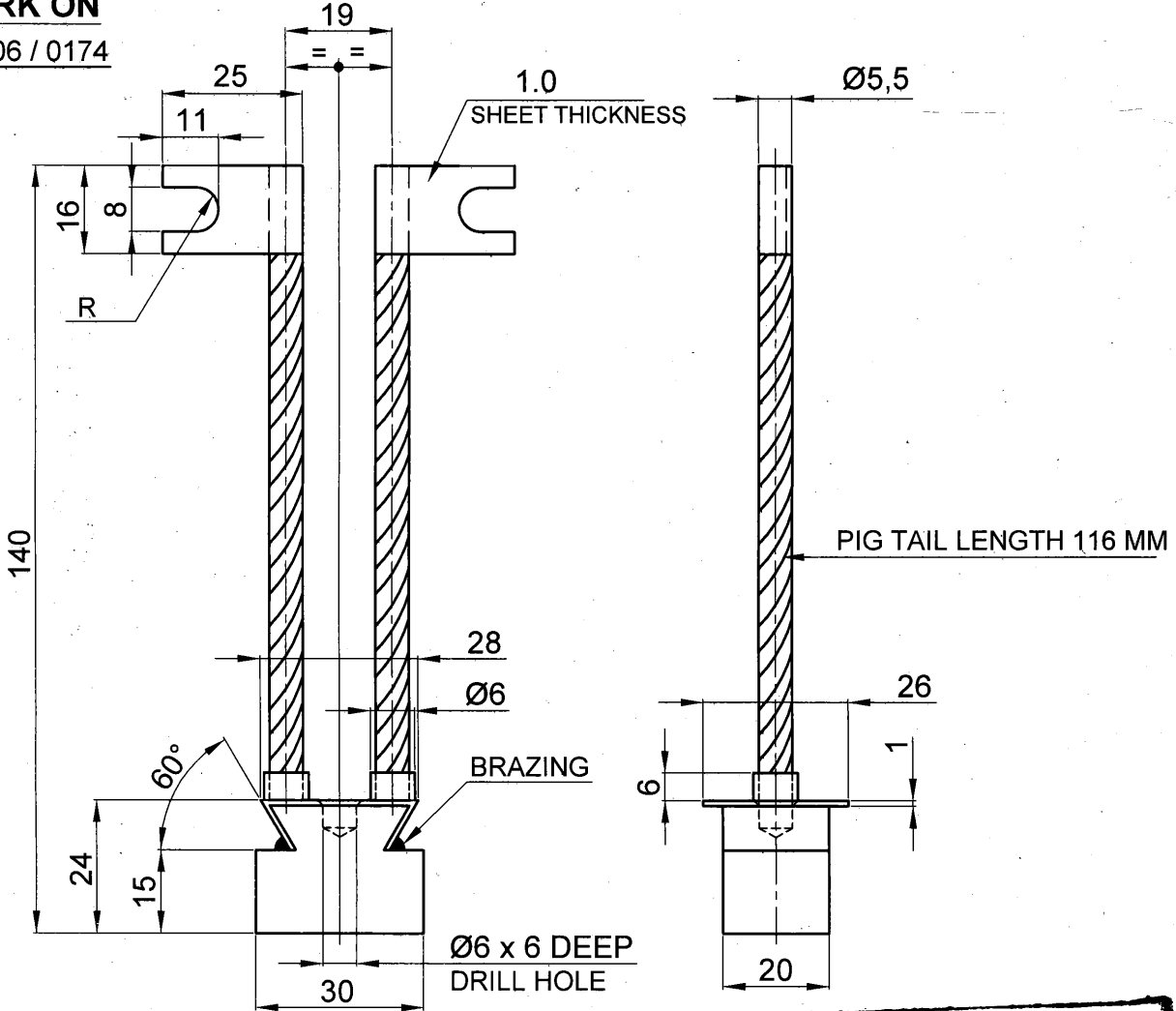
Place _____
Date _____

Signature of the Tenderer _____
Name _____
Position _____
Address _____
Income Tax G.I.R. No _____
Official Stamp _____

DIMENSIONS IN MM.	DATE	ISSUE	AMENDMENTS	SIGR.
THIRD ANGLE PROJECTION				

MARK ON

SK / 06 / 0174



MATERIAL

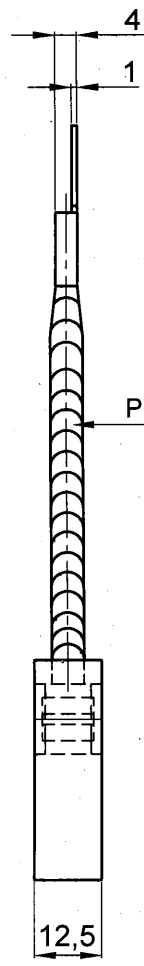
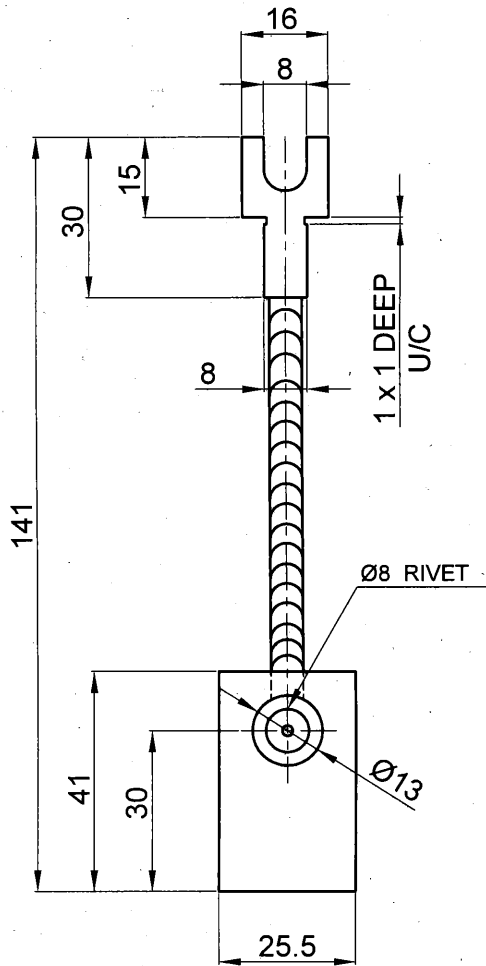
<u>Cu</u>	<u>Mg</u>	<u>AL</u>	<u>Fe</u>
64.5%	0.2%	0.2 %	0.2 %
APP.	APP.	APP.	APP.
<u>Zn, Pb, Sn</u>			<u>C</u>
TRACE			REST

WARNING
 THIS DOCUMENT IS USED FOR
 PRITE / CONTRACT NO. 458-11-09
 DATED 03-9-19 AND FOR
 INTENDED PURPOSES ONLY
 THIS DOCUMENT IS NOT
 SUBJECT TO CHANGE CONTROL
 THEREFORE ISSUE STATUS
 MUST BE VERIFIED

1	1	CARBON BRUSH	AS STATED	
DET. No.	No. OFF	DESCRIPTION	MATERIAL	HEAT TREATMENT
DRAWN: JAMIL ARSHAD		CHECKED: TANVIR BAIG T.O.		APP' VD. GHUFRAN A.M.
CARBON BRUSH FOR TAPERING PRESS No. 0028, 0029 / SHOP C-10				BASED ON SAMPLE
				DRG. No. SK / 06 / 0174
				P.O.F. / P.D.O. / M.A.A.
SCALE :- N.T.S.	SHEET 1 OF 1	UN. TOL. DIMN. ±	DATE :- 15-12-2016	

DIMENSIONS IN MM.	DATE	AMENDMENTS	AUTHORITY	SIGR.
THIRD ANGLE PROJECTION				

MARK ON
SK / 06 / 0169



WARNING
THIS DOCUMENT IS USED FOR
PR / TE CONTRACT NO. 0458-2016-A-49
DATED 03-9-19 AND FOR
INTENDED PURPOSES ONLY
THIS DOCUMENT IS NOT
SUBJECT TO CHANGE CONTROL
THEREFORE ISSUE STATUS
MUST BE VERIFIED

24/9

PIG TAIL LENGTH 76 MM

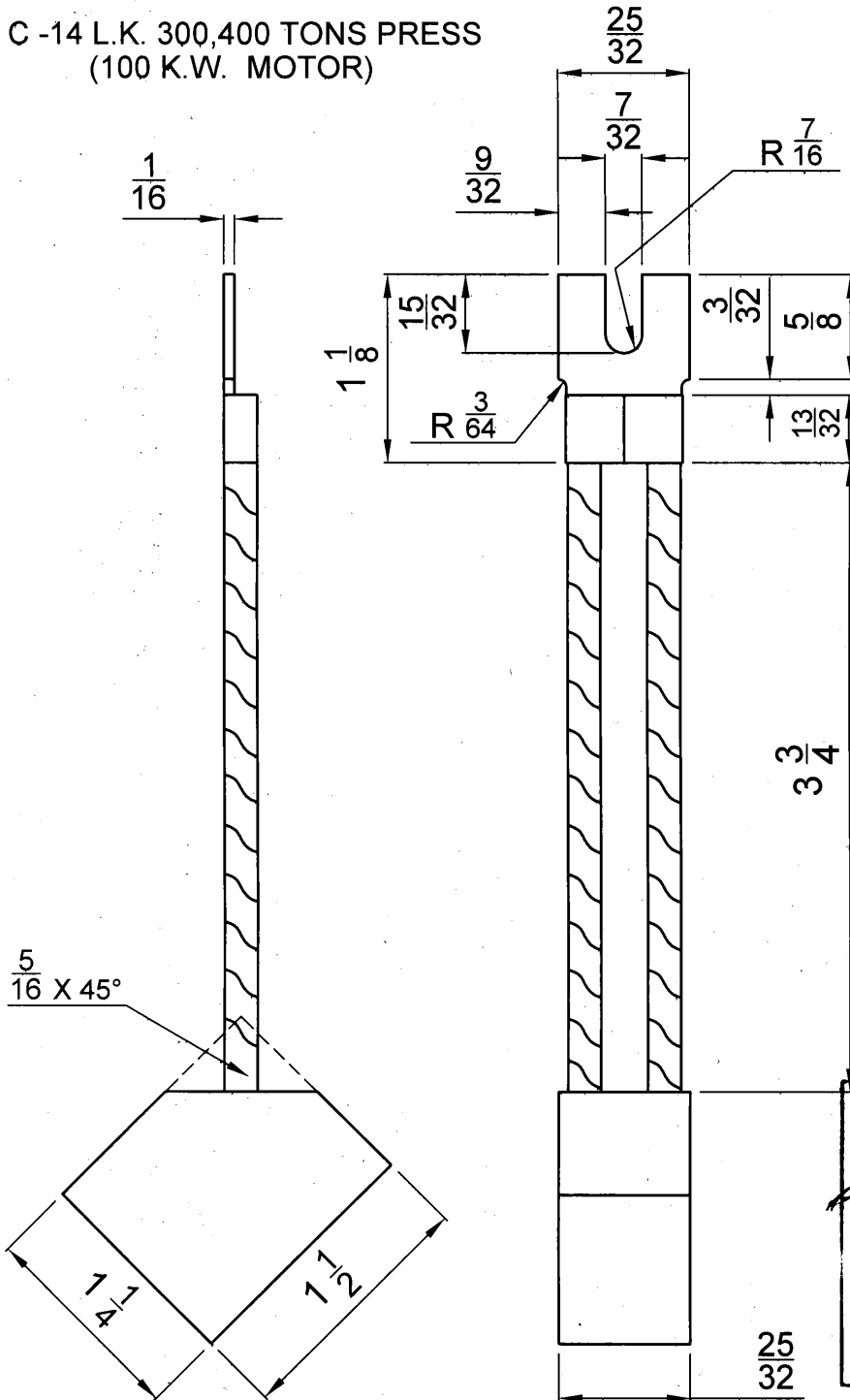
MATERIAL

Cu	Mg	AL	Fe
64.5%	0.2%	0.2 %	0.2 %
	APP.	APP.	APP.
Zn, Pb, Sn		C	
TRACE		REST	

1	2	CARBON BRUSH	AS STATED	—
DET. No.	No. OFF	DESCRIPTION	MATERIAL	HEAT TREATMENT
DRAWN: JAMIL ARSHAD		CHECKED: ANWAR T.O.		APP ' VD. GHUFRAN A.M.
CARBON BRUSH FOR DRAW PRESS No. 0038, 0039 / SHOP C-10				BASED ON SAMPLE
				DRG. No. SK / 06 / 0169
				P.O.F. / P.D.O. / M.A.A.
SCALE :- N.T.S.	SHEET 1 OF 1	UN. TOL. DIMN. ±	DATE :- 28-4-2016	

DIMENSIONS IN INCH				
THIRD ANGLE PROJECTION.		ISSUE	AMENDMENTS	SIGNATURE

C -14 L.K. 300,400 TONS PRESS
(100 K.W. MOTOR)



MATERIAL

Cu	Mg	AL	Fe
64.5%	0.2%	0.2%	0.2%
	App	App	App
ZN	Pb	Sn	C
TRACES			REST

OK-3-1

WARNING
THIS DOCUMENT IS USED FOR
PR/TE/ CONTRACT No. 048-UP/149
PNA DATED 03-9-19 AND FOR
INTENDED PURPOSES ONLY
THIS DOCUMENT IS NOT
SUBJECT TO CHANGE CONTROL
THEREFORE ISSUE STATUS
MUST BE VERIFIED

-	-	CARBON BRUSH	-	-
DET. NO.	NO. OFF	DESCRIPTION	MATERIAL	HEAT TREATMENT
PREPARED	JAMIL ARSHAD	CHECKED: GHULAM FARID		AP'VED. ZAHEER
CARBON BRUSH FOR L.K. 300,400 TONS PRESS (100 K.W. MOTOR)				BASED ON
				DRG. No. SK/07/0028
				P.O.F.s (P) PDO-A/AA
SCALE:- 1:1	SHEET. 1 OF 1	UNTOL. DIMN.		DATE:- 21-12 - 2015