

Government of Pakistan
PAKISTAN ORDNANCE FACTORIES
Tender Enquiry

To
M/s PPRA Islamabad

Dear Sir,

Reference: TENDER ENQUIRY NO. 0017-LP-WPN-49, DATED: 04-07-2018

You are requested to submit sealed quotations for the item(s) noted in the Schedule to the Tender. Offer should be sent duly sealed in an envelope. Fax offer received before opening of Tender is acceptable. Please note the following instructions for filling the tender:-

3 SUBMISSION OF TENDER.

3.1 Tenders will be opened at "Room No. 3, Bid Centre, adjacent to Rabita Hall, POF Wah Cantt at **1100 hours on 18-July -2018** and must reach CR Section, POF Wah Cantt on or before 1030 upto due date. The tender received late will not be entertained. You may witness the opening of the tender of authority from you.

1.2 Only one tender should be included in one envelope. The outside of the envelope should be inscribed with:-

Tender Enquiry NO:	<u>0017-LP-WPN-49, dated 04-07-2018,</u>
Tender to be opened on:	<u>18-July-2018.</u>
Address as follows:	<u>GENERAL MANAGER-PPC-WEAPONS,</u> <u>CR Section, C-04 Building,</u> <u>POF WAH CANTT.</u>

1.3. If envelope does not indicate reference of T.E or received late the same may be returned un-opened.

3. GENERAL INSTRUCTIONS REGARDING PREPARATION OF QUOTATION.

2.1 For materials, the prices should be filled in column 5 and delivery date in column 6 of the schedule to this Tender Enquiry. The undertaking should be signed at the bottom of the schedule which shall form the quotation. You may use a separate sheet if necessary.

2.2 For Plant and Machinery, you are required to quote in two parts:-

Part I "Technical Offer": It should exclusively give technical details and literatures/ brochures of the offered plant, machinery and equipment; validity date; delivery schedule; and signed undertaking given on the schedule to this Tender Enquiry. It must not indicate price, costs etc.

Contd....P-2

Part II "Commercial Offer": It should indicate the commercial terms e.g. price, terms of payment, mode of payment, mode of supply.

Each part should be placed in a separate sealed cover, the envelopes should be inscribed with Part I "Technical Quotation without Price" and part II "Commercial Quotation with price".

- 2.8 The quotation must remain valid for, at least 90 days from the date of open of tender.
- 2.9 The quotation should hold good for any reduced or enhanced quantities without notice.
- 2.10 In the event of non-acceptance of offer, intimation may be given to the Tenderers on their request.
- 2.11 Conditional offers or alternative offers are likely to be ignored.
- 2.12 Quotations should be based on:-
F.O.R. station of dispatch basis, i.e. delivered free on rail, inclusive of packing and forwarding charges. The stores will be booked under Military Credit Note, to be provided by the purchaser.

And/or

Free delivery at POF's stores at **WAH CANT.**

In this case octori duty if any, will be payable by the supplier.

- 2.8 Taxes and Duties etc. where applicable, must be shown separately, quoting references to Registration No. in cases of Sales Tax and relevant authority in the case of others. Offers without these clarifications and inclusive of
- 2.9 Taxes and Duties levied on or after Tender opening date or on after the date offer was signed and dispatched will be allowed to include in the offered rates.
- 2.10 "Suppliers will furnish a certificate, issued by Excise & Taxation dept., that he has cleared all Professional Tax payable by him" offers received without this certificate will be rejected.
- 2.11 If the requisite information is not furnished on the T.E. forms or offer received is not conformity with the requirement of T.E such offer shall be ignored.
- 2.12 The supplier will render necessary information regarding hazardous effects on environment of the material / products supplied by them, in their quotations and shipping/dispatch documents.

3. INSPECTION

- 3.10 Supplies shall be subject to the inspection and acceptance by the competent inspection authority nominated by the Purchaser, who will arrange in at his own cost. Inspection facilities such as tools, test equipment, instruments etc will, however, be provided by the Suppliers in accordance with the relevant specifications.
- 3.2 Where considered necessary by the Purchaser, the stores may be obtained on Warranty/Guarantee subject to inspection on receipt. Rejected stores will be removed an replaced with the acceptable stores by the Supplier at

Contd.... P-3

4. **TENDER FEE.**

The tender must be accompanied by a non-refundable fee by means of a crossed postal order / pay order of Rs. 500/- in favour of: **Director Admin, POF WAH CANTT.**

4.11 **TENDER SAMPLE**

Where required, offer must accompany tender sample, strictly according to the description and specification given in Tender Enquiry. Offer not accompanied by tender sample will NOT be entertained excepting the established and reputable firms who have either previously satisfactorily supplied the same or similar stores or have submitted an acceptable sample thereof against previous

5. **BID MONEY**

5.1 Bid money at the rate of 2% (for registered firms) and 5% (for un-registered firms) of the quoted value, should accompany the tender in the shape of Deposit at Call Receipt, from a scheduled Bank drawn in favour of:-

MD-WEAPONS, POF WAH CANTT

Tender received without Bin Money & Tender Fee will be rejected.

5.2 Bid Money of the unsuccessful tenderers will be returned as soon as the scrutiny of the tenders is completed. Bin Money of the successful tenderers will be retained until the contract is finalized. Bid Money will be forfeited in case the quotation is withdrawn before the expiry of its validity date.

5.8 State owned organizations are not required to provide Bid Money.

6. **ACCEPTANCE OF OFFERS.**

6.1.1 The procuring agency may reject all bids or proposal at any time prior to the acceptance of a bid or proposal. The procuring agency shall upon request communicate to any supplier or contractor who submitted a bid or proposal, the grounds for its rejection of all bids or proposals, but is not required to justify those grounds.

6.1.2 Procuring agency shall incur no liability, solely by virtue of its invoking sub-rule (1.1) towards suppliers or contractors who have submitted bids or proposal.

6.1.3 Notice of rejection of all bids or proposal shall be given promptly to all suppliers or contractors that submitted bids or proposal.

6.2 **PERFORMANCE BOND**

(a) The successful bidders shall provide performance bond at the rate, prescribed by POF Board according to the value of contract, which shall not exceed 10% of contract value in the form of Deposit At Call Receipt from a scheduled Bank; or, an un-conditional Bank Guarantee valid for 12 months (03 months extendable to 12 months in case of cloth items required by Clothing Fy.) after receipt of store in POFs on a prescribed format. The performance Bond will be in favour of CMA (POF) Wah Cantt. It will be returned on satisfactory completion of contract.

(f) If the Supplier fails to furnish the Performance Bond within the specified time, such failure will constitute a breach of the contract and the Purchaser shall be entitled to make other arrangements for purchase of the stores at the risk and expense of the Supplier.

Contd....P-4

6.3 Performance Bond form state owned organizations may be waived off at the discretion of the Purchaser.

6.4 **FAILURE TO SUPPLY THE STORES**

All deliveries must be completed by the specified date. In Case of failure to deliver the stores within the scheduled time should have arisen from "Force Majeure", which the purchaser may admit as reasonable ground for further time, he will allow such additional time as he may consider to have been required by the circumstances of the case. Otherwise, he will be entitled, at his discretion, to cancel the contract; and/or claim liquidated damages upto 2% but not less than 1% of the contract price of the items and their quantities for each and every month or part of a month, beyond the specified delivery date, during which these may not be delivered, subject to a maximum of 10% of the total contract value; or, to purchase from elsewhere, the unsupplied stores at the risk and cost of the supplier.

6.5 **PAYMENT**

- a) Payment will be made by the CMA (POF) through crossed cheques on receipt/acceptance of stores on our prescribed bill form supported by receipt voucher on part/full supply basis.
- b) Payment of duties/Taxes including professional tax (Where applicable) must be supported by proof of having paid these to concerned Govt. Taxation Deptt.

7. **SECURITY OF INFORMATION**

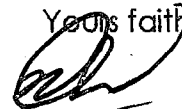
The tenderer and his employee must not communicate any information relating to the any sale/purchase of store under this enquiry to any person other than the manufacturer or to press or agent not authorized in writing by POFs to receive it.

Please return the schedule to the tender duly signed by the specified date, along with the specifications, drawing etc. if any, enclosed herewith even if you are unable to quote.

8. **WARNING**

In case the firm abstain from making offers or fail to return/acknowledge the tender form by the specified date on three consecutive occasions ,no further tender enquiry may be issued to them and their names would liable to be removed from the approved list

Yours faithfully,



(NAEEM AHMED)

Managing Director- Weapons
POFs, WAH CANTT

Tele # 051-9055 21015
Fax # 051-9271400
E-mail # mdwpm@pof.gov.pk

PAKISTAN ORDNANCE FACTORIESSCHEDULE TO TENDER NO. 0017-LP-WPN-49,DATED: 04-07-2018**2. FOR MATERIALS**

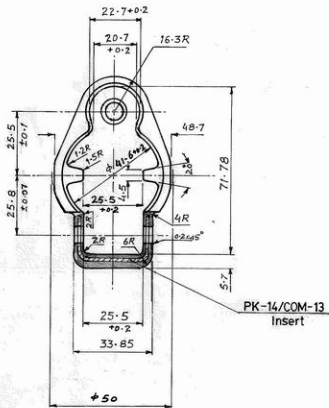
(1)	(2)	(3)	(4)	(5)		(6)
Item No.	Description with Specs. Etc	Unit	Qty	Price / Unit (FOR) or Free Delivery		Delivery Date
				In Figures	In Words	
01.	END CAP SMG PK Drg. # PK/SA-14	Nos.	4200			

4 Special Conditions: -

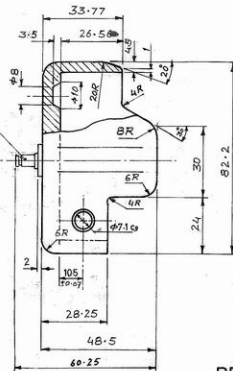
- Inspection Authority: IDA-POFs, Wah Cantt.
- Only Registered suppliers (with sales tax and income tax department) who are on Active Tax Payers List (ATL) on FBR are eligible to supply goods or services to Govt. Department. (ATL with Business Name must be attached with offer).
- Payment to the registered persons may be linked with the Active Tax Payers Status of the suppliers as per FBR Database if any registered supplier is not in ATL his payment should be stopped till the files his mandatory returns and appears on ATL of FBR.
- Fax Offers, e-mail offers, conditional offers and offers with less / without Bid Money & Tender Fee will not be entertained.
- Plastic Material & Metallic Components for moulding will be provided by Weapons Factory.

(4) **Undertaking:** - Should our offer be accepted, we hereby undertake to supply the stores/render the services contracted on the basis of General Conditions of Contract embodied in Form POF-1281, and to deposit the performance bond within the prescribed time, failing which it will constitute a breach of contract, and POF will have the right to purchase the stores/services from elsewhere at our risk & cost.

Place _____ Signature of the Tenderer _____
Date _____ Name _____
Official Stamp _____ Position _____
Address _____
Income Tax G.I.R. No. _____



PK-14/COM-12
Axle



PROVISIONAL

MATERIAL:-

6 POLYIMIDE INJECTION MOULDING COMPOUND
WITH 35% GLASS FIBER
LIKE ULTRAMIDE B3E 67
COLOUR BLACK DULL

				DRAWN:- G. Muhammad
				CHECKED
				EXAMINED
				APP. VD.
				SCALE 1:1
				BASED ON
DATE	MOD. NO.	AMENDMENTS	SIGR.	
				P.O.F. (W)
				PK/SA-14
				DATE 17-7-1999

APPROVED BY CIA W-42026 VIII dt-10-01-2004